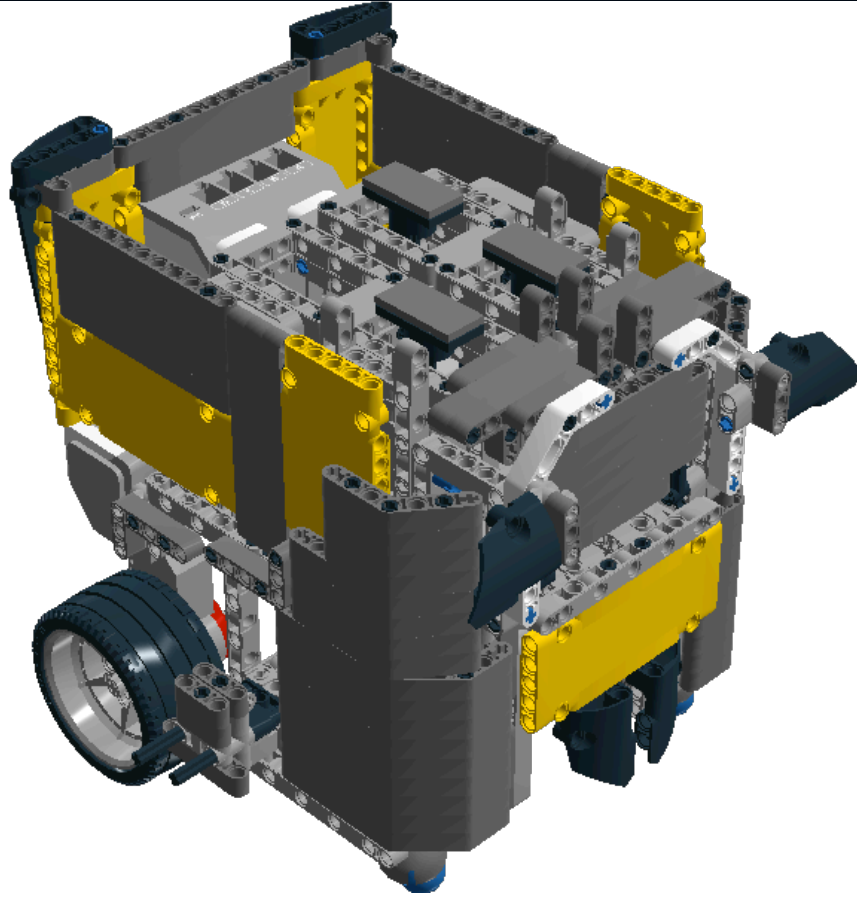


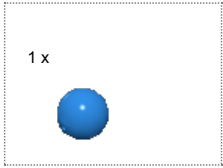
LEGO DIGITAL DESIGNER 4.2

Model Name:
solution_robot

Number of Bricks: **586**



Step 1 of 225



Step 2 of 225



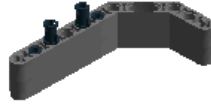
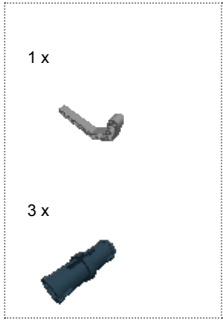
Step 3 of 225



Step 4 of 225



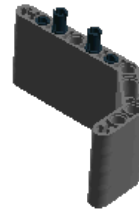
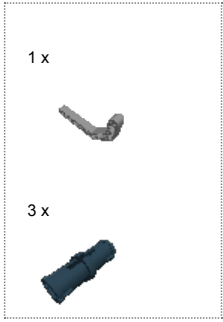
Step 5 of 225



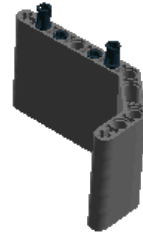
Step 6 of 225



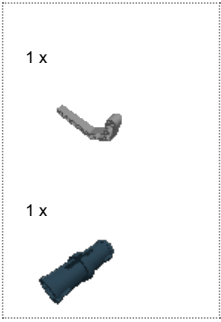
Step 7 of 225



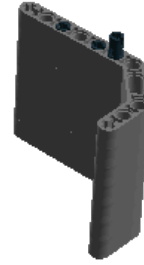
Step 8 of 225



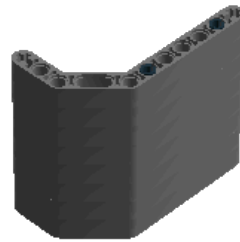
Step 9 of 225



Step 10 of 225



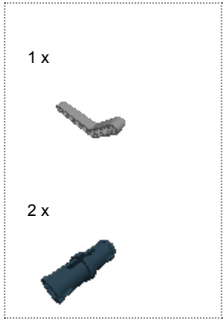
Step 11 of 225



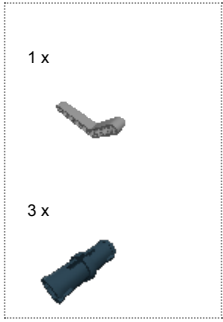
Step 12 of 225



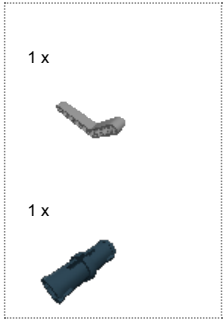
Step 13 of 225



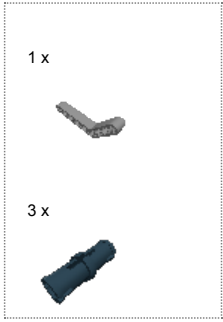
Step 14 of 225



Step 15 of 225



Step 16 of 225



Step 17 of 225



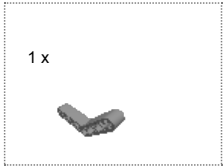
Step 18 of 225



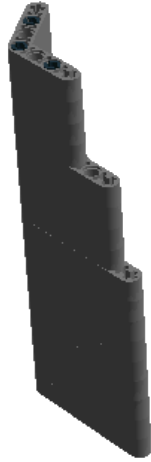
Step 19 of 225



Step 20 of 225



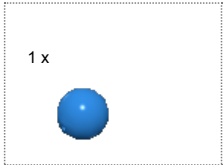
Step 21 of 225



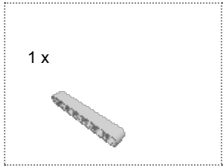
Step 22 of 225



Step 23 of 225



Step 24 of 225



Step 25 of 225



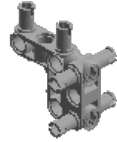
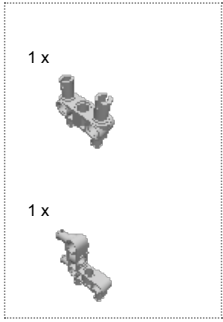
Step 26 of 225



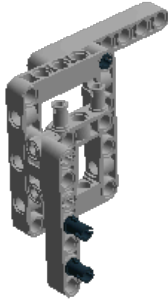
Step 27 of 225



Step 28 of 225



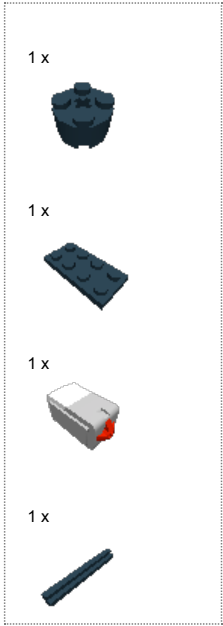
Step 29 of 225



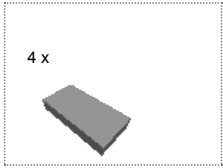
Step 30 of 225



Step 31 of 225



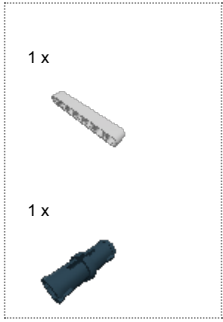
Step 32 of 225



Step 33 of 225



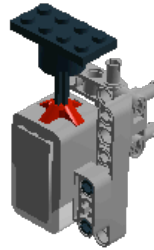
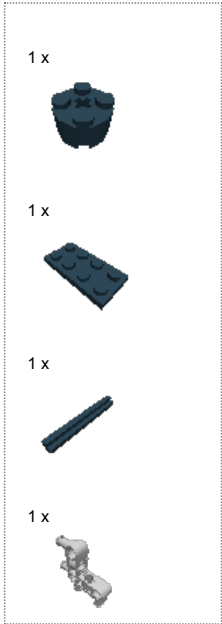
Step 34 of 225



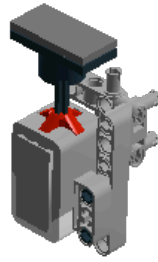
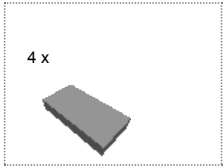
Step 35 of 225



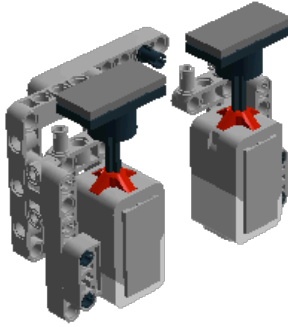
Step 36 of 225



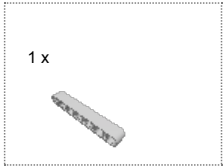
Step 37 of 225



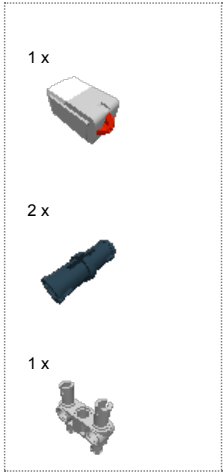
Step 38 of 225



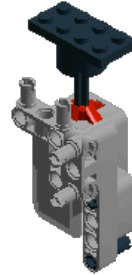
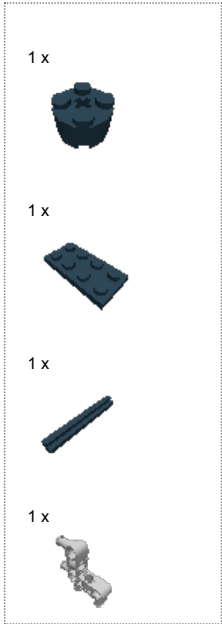
Step 39 of 225



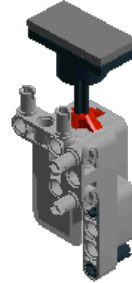
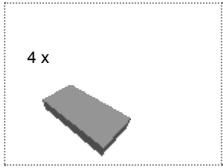
Step 40 of 225



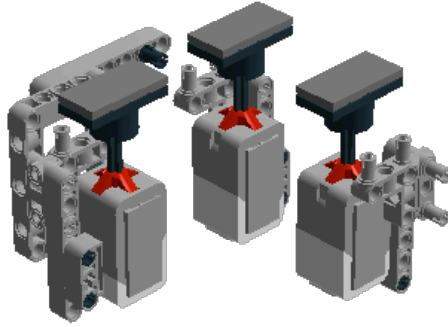
Step 41 of 225



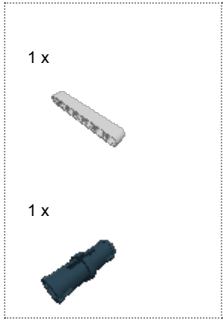
Step 42 of 225



Step 43 of 225



Step 44 of 225



Step 45 of 225

1 x



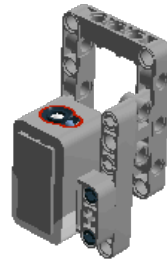
1 x



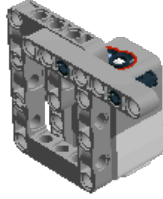
1 x



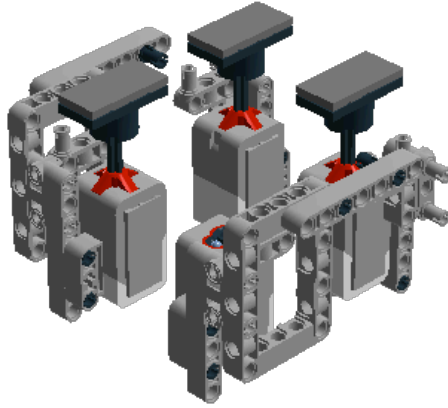
1 x



Step 46 of 225



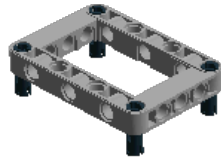
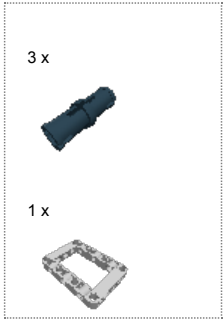
Step 47 of 225



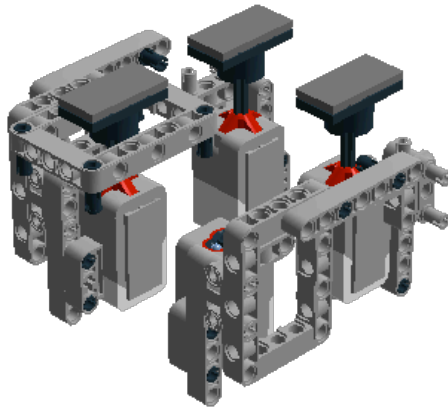
Step 48 of 225



Step 49 of 225



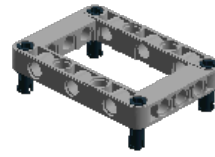
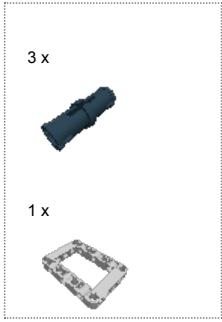
Step 50 of 225



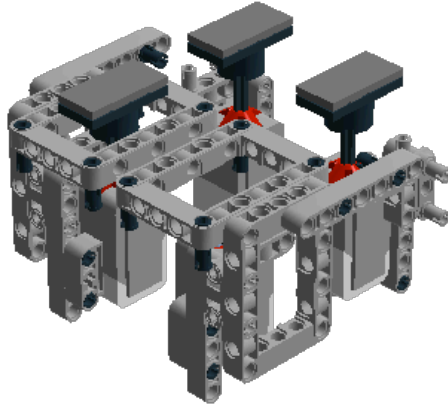
Step 51 of 225



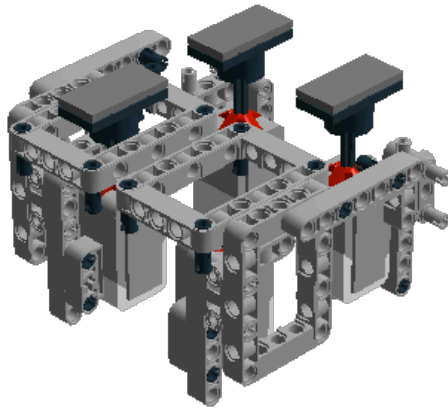
Step 52 of 225



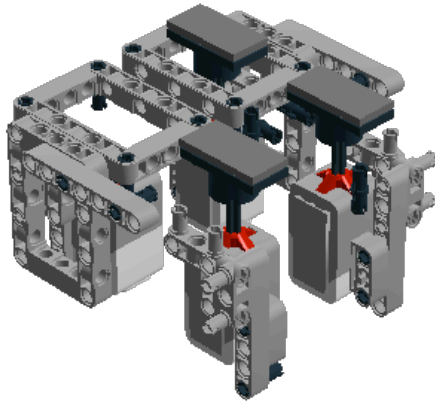
Step 53 of 225



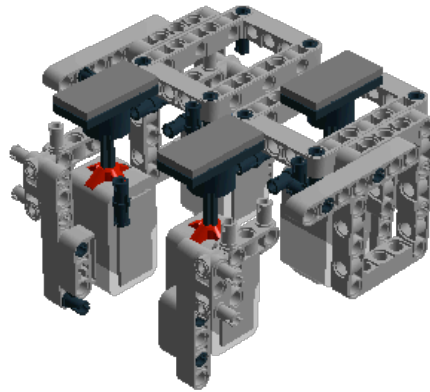
Step 54 of 225



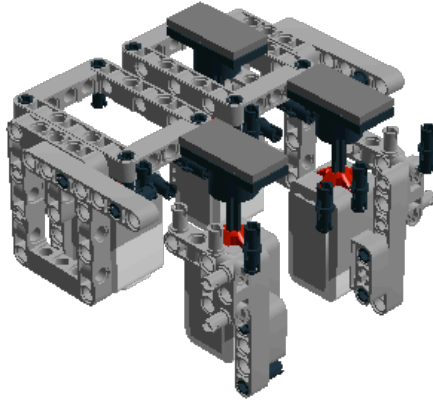
Step 55 of 225



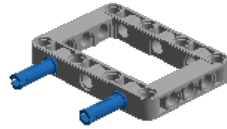
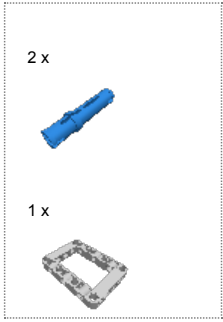
Step 56 of 225



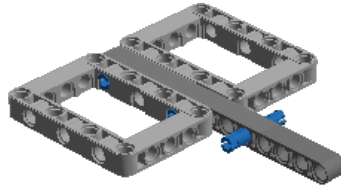
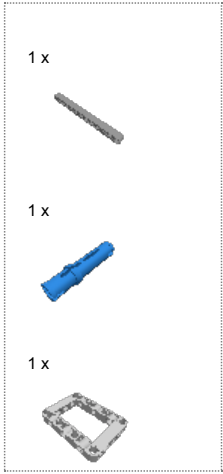
Step 57 of 225



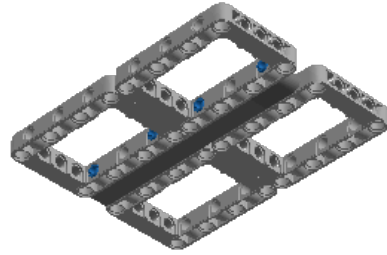
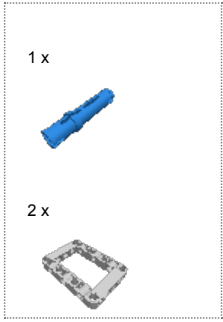
Step 58 of 225



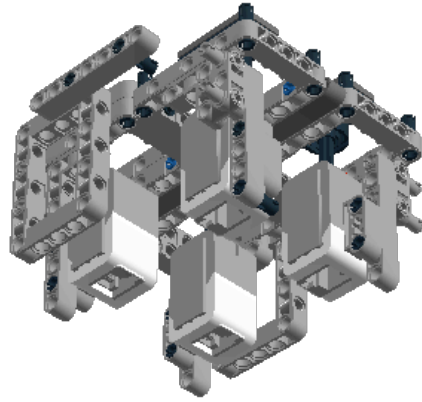
Step 59 of 225



Step 60 of 225



Step 61 of 225



Step 62 of 225

1 x



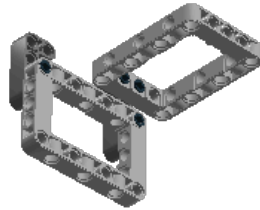
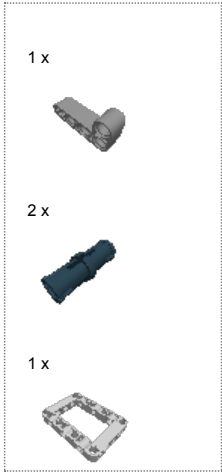
2 x



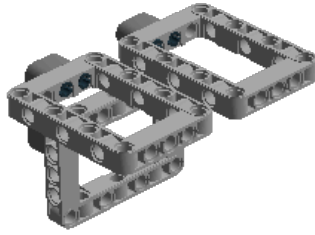
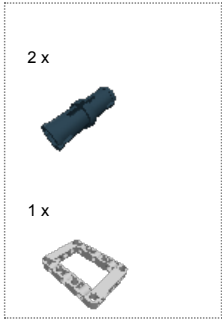
1 x



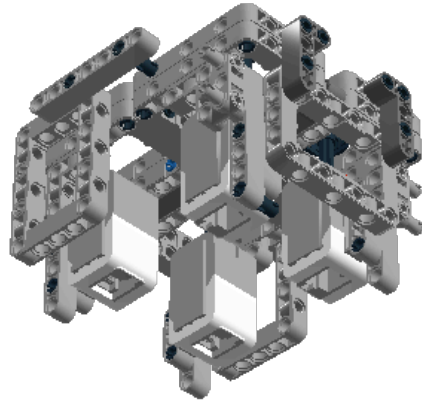
Step 63 of 225



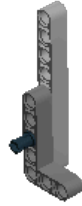
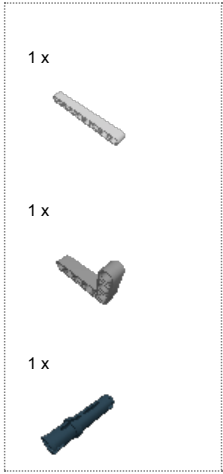
Step 64 of 225



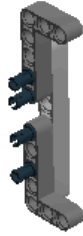
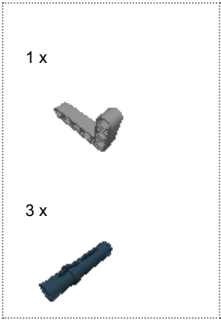
Step 65 of 225



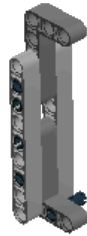
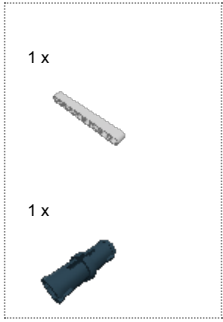
Step 66 of 225



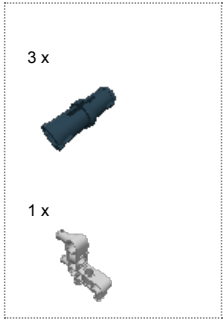
Step 67 of 225



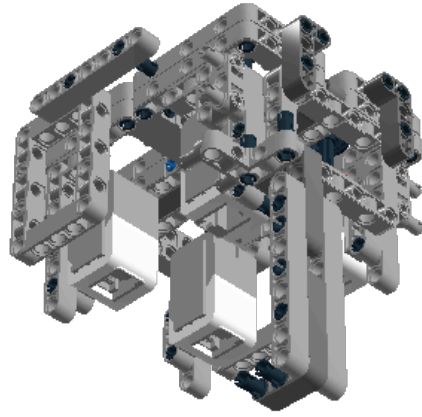
Step 68 of 225



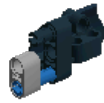
Step 69 of 225



Step 70 of 225



Step 71 of 225



1 x



1 x



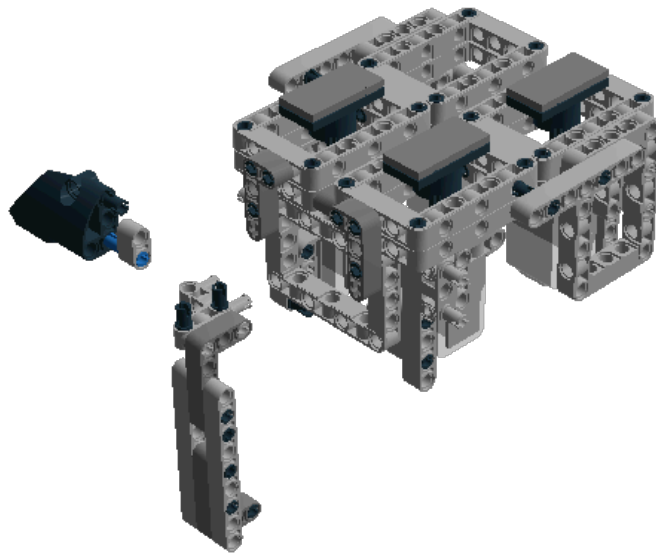
1 x



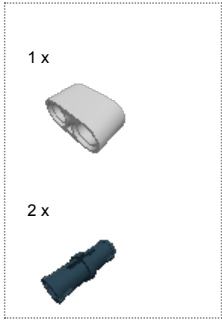
1 x



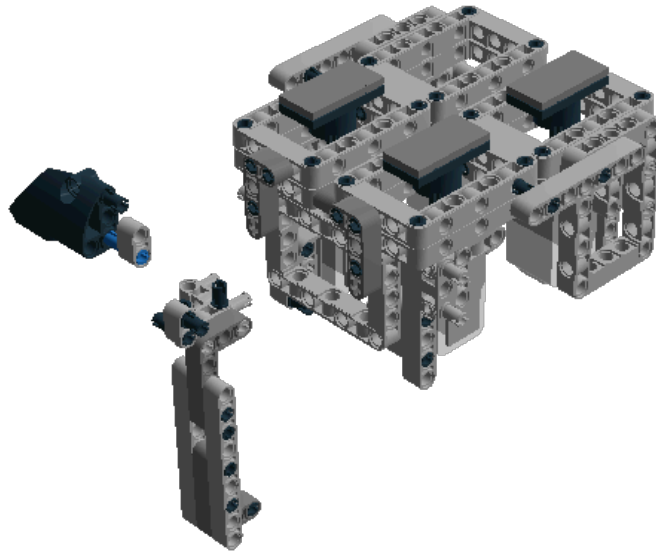
Step 72 of 225



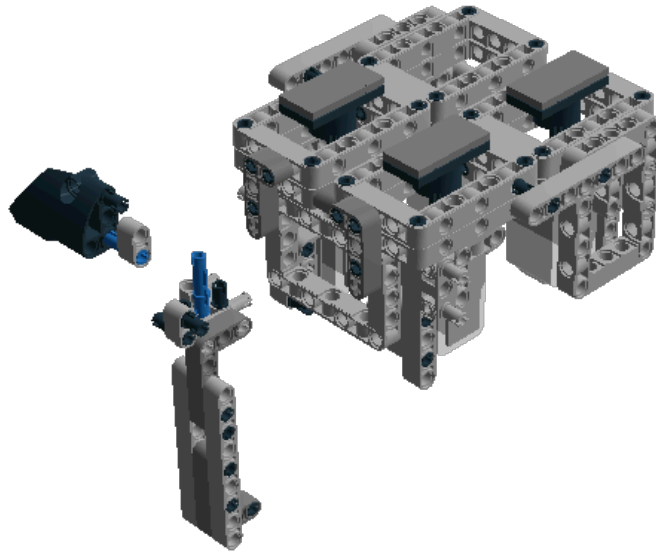
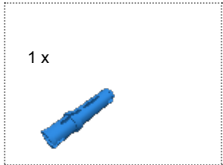
Step 73 of 225



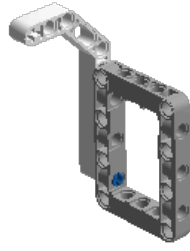
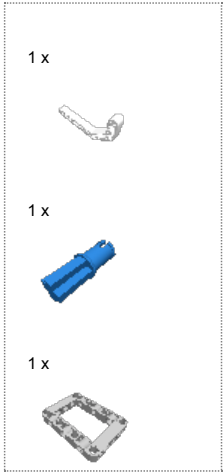
Step 74 of 225



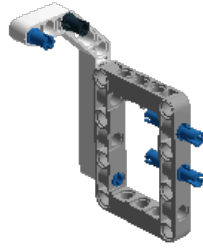
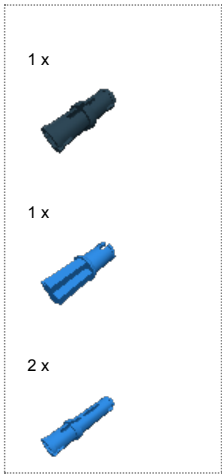
Step 75 of 225



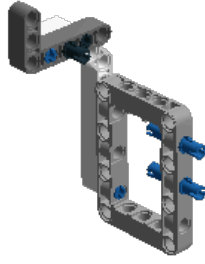
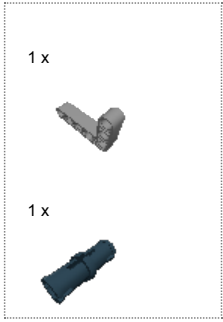
Step 76 of 225



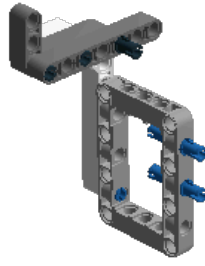
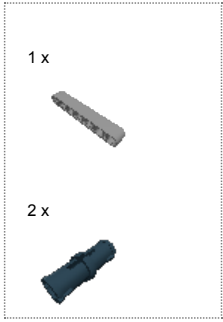
Step 77 of 225



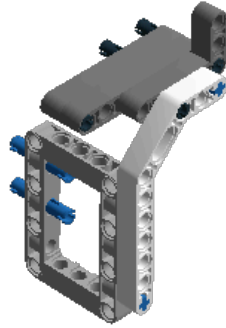
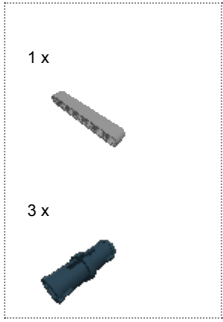
Step 78 of 225



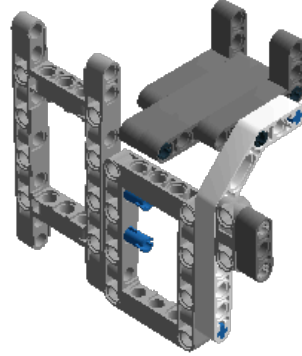
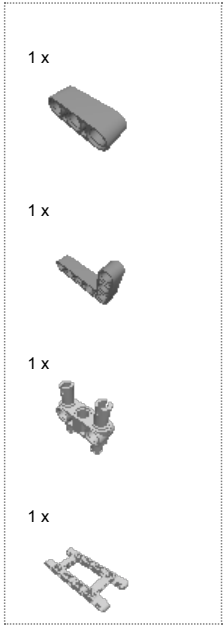
Step 79 of 225



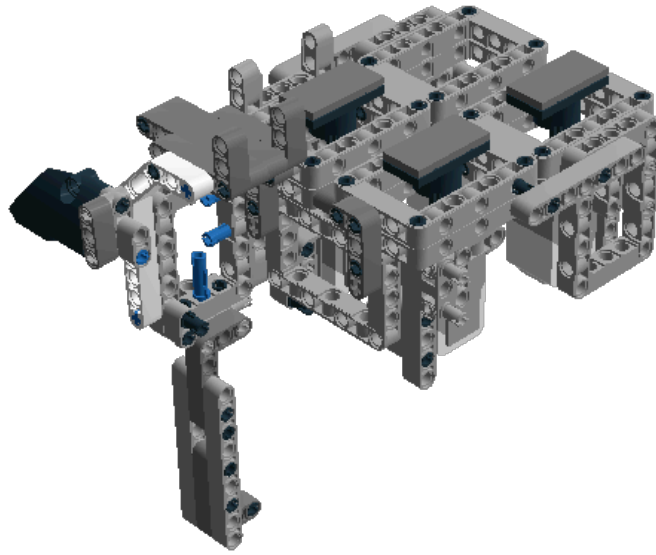
Step 80 of 225



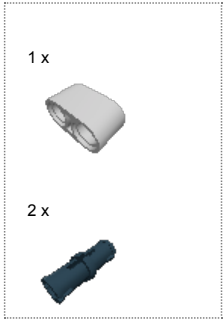
Step 81 of 225



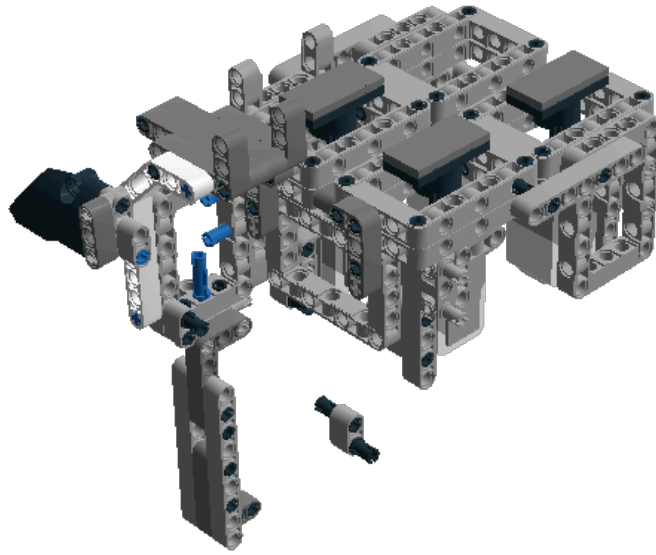
Step 82 of 225



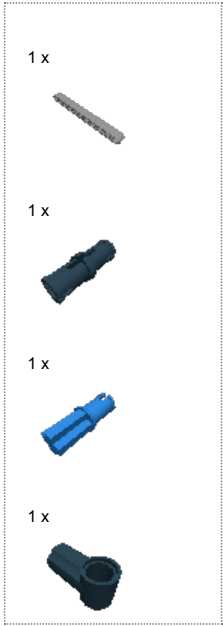
Step 83 of 225



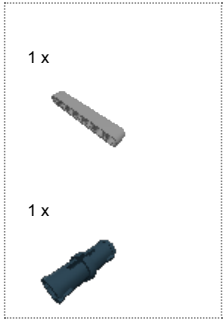
Step 84 of 225



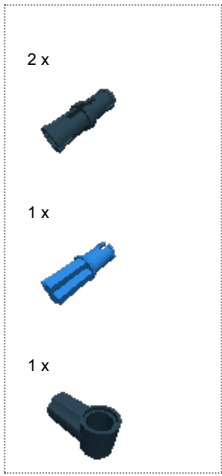
Step 85 of 225



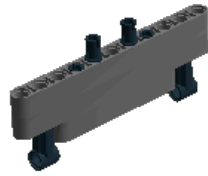
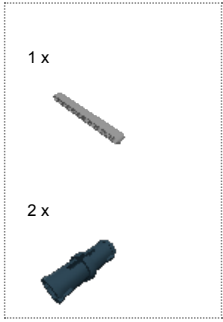
Step 86 of 225



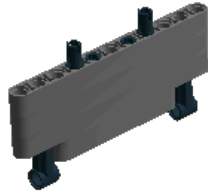
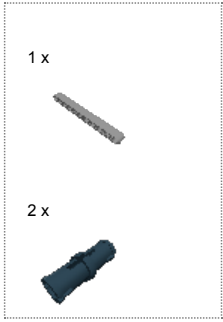
Step 87 of 225



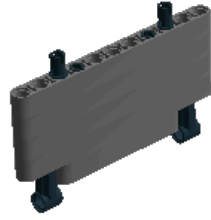
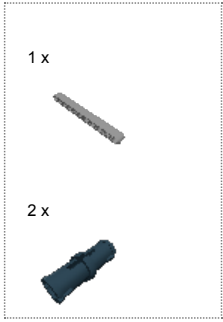
Step 88 of 225



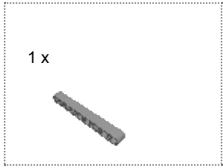
Step 89 of 225



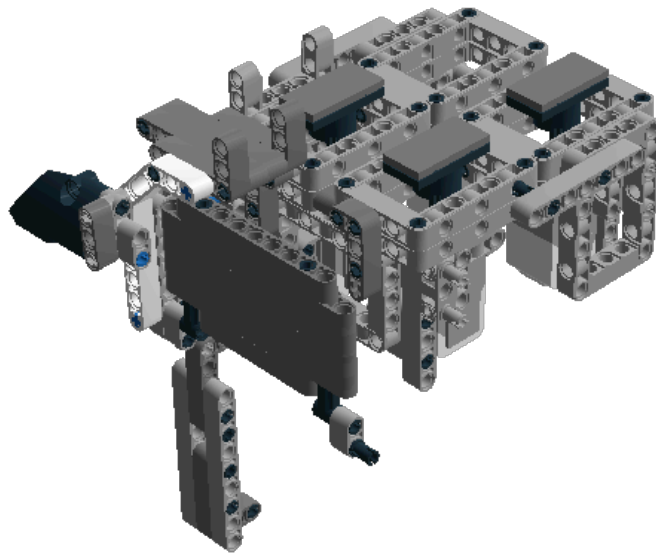
Step 90 of 225



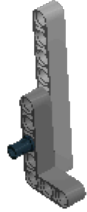
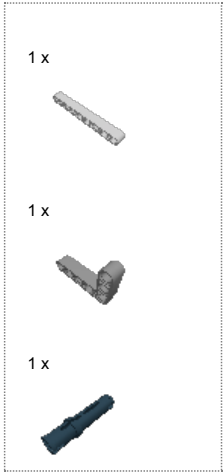
Step 91 of 225



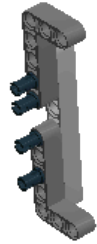
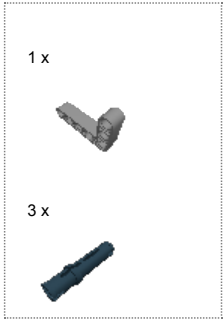
Step 92 of 225



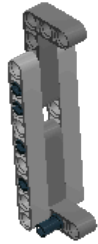
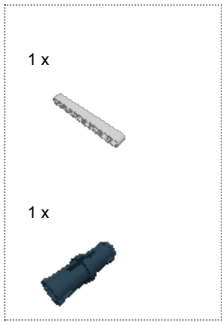
Step 93 of 225



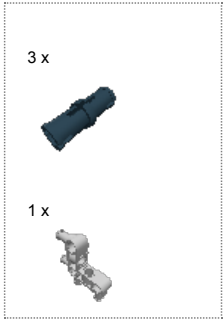
Step 94 of 225



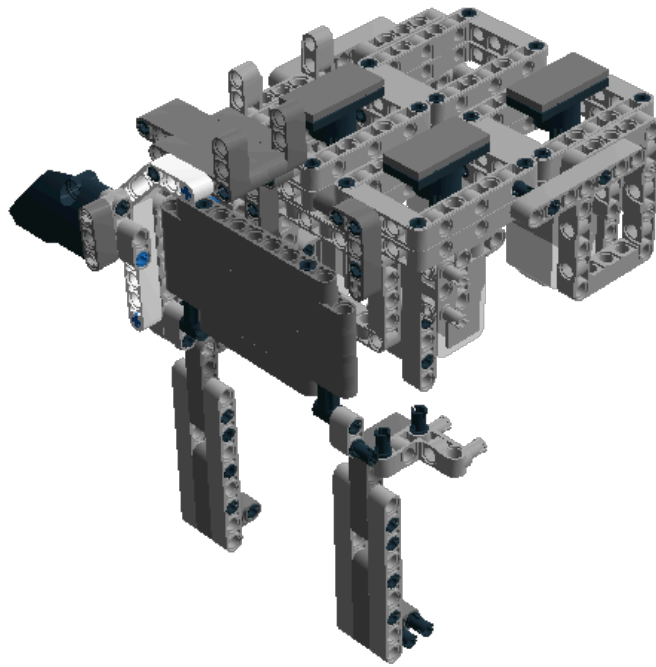
Step 95 of 225



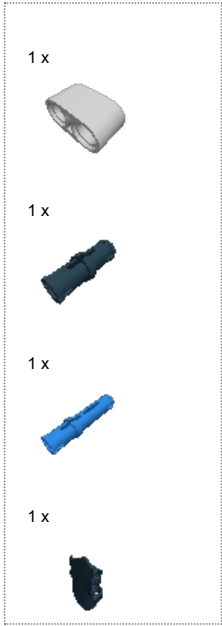
Step 96 of 225



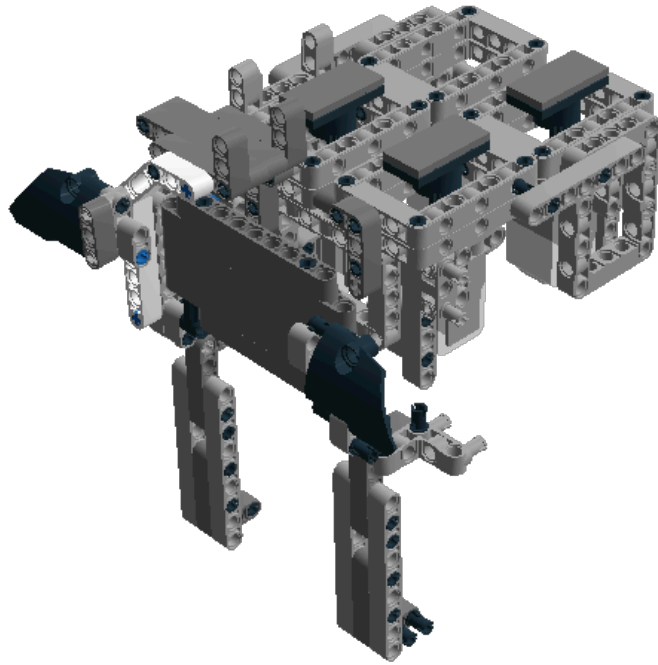
Step 97 of 225



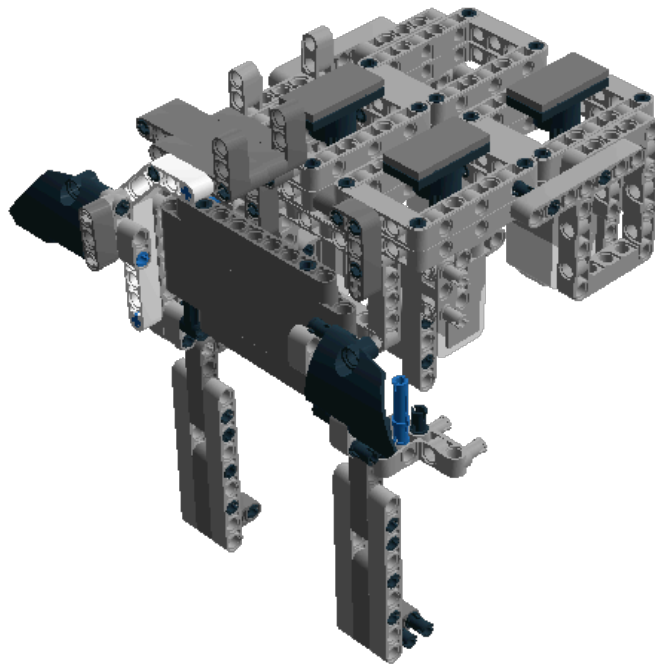
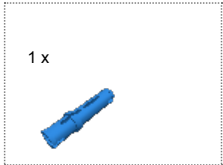
Step 98 of 225



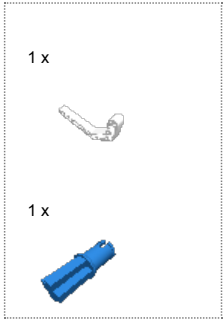
Step 99 of 225



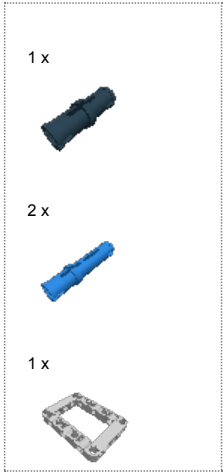
Step 100 of 225



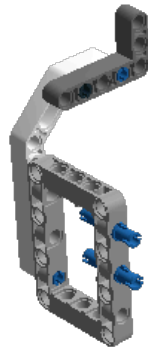
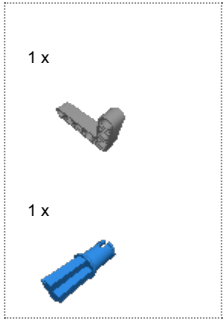
Step 101 of 225



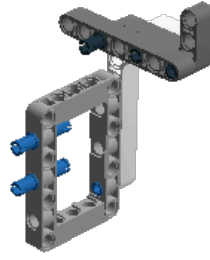
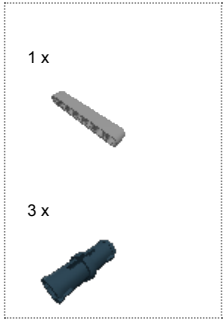
Step 102 of 225



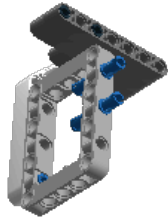
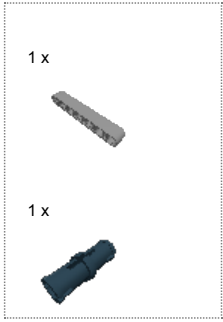
Step 103 of 225



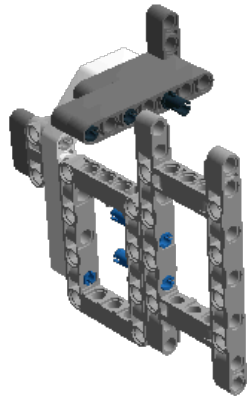
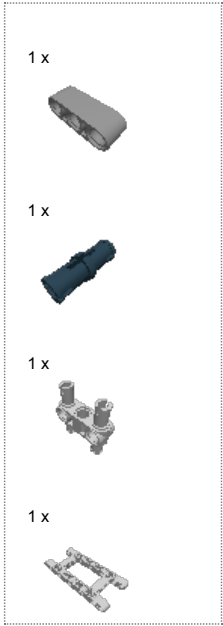
Step 104 of 225



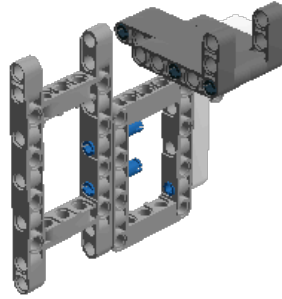
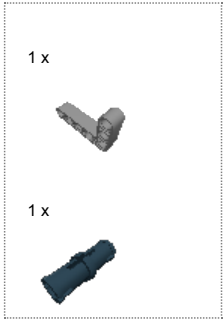
Step 105 of 225



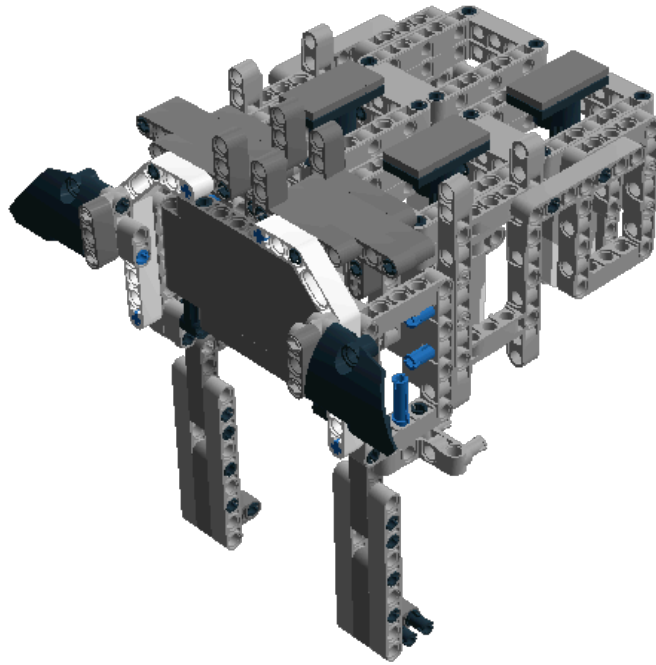
Step 106 of 225



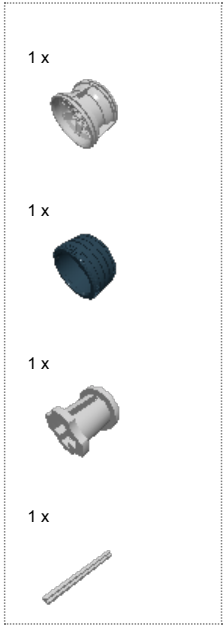
Step 107 of 225



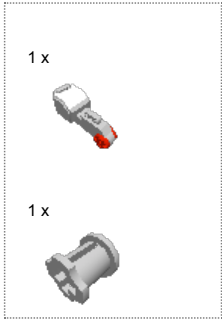
Step 108 of 225



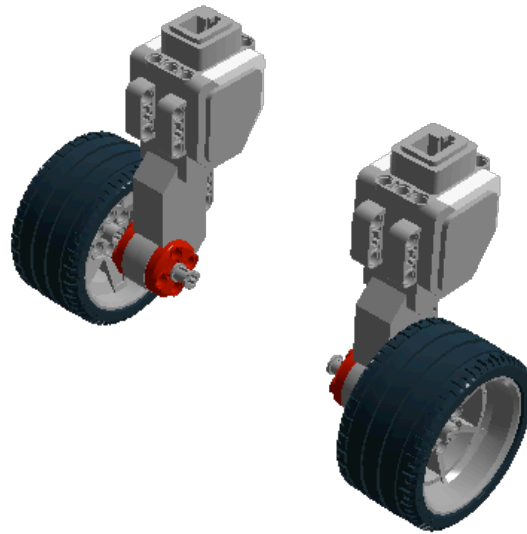
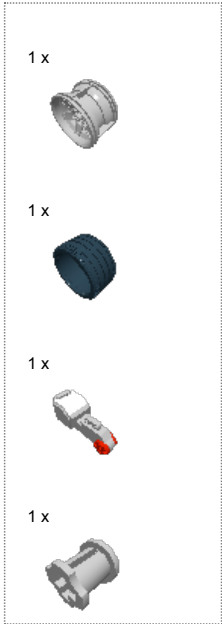
Step 109 of 225



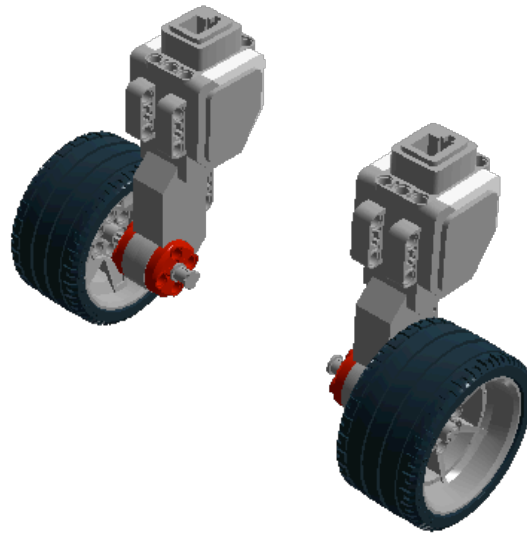
Step 110 of 225



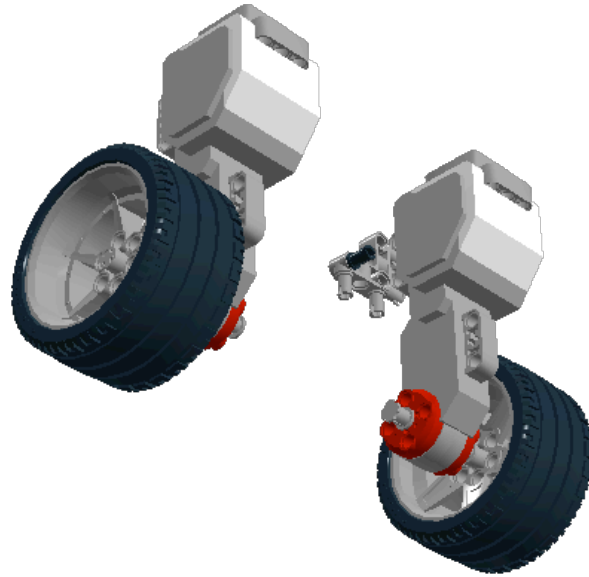
Step 111 of 225



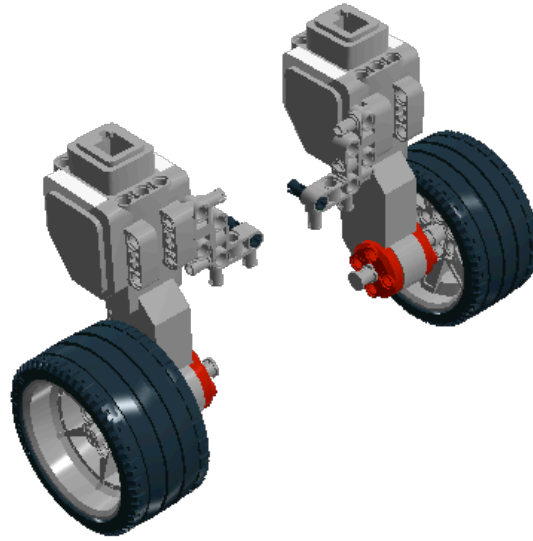
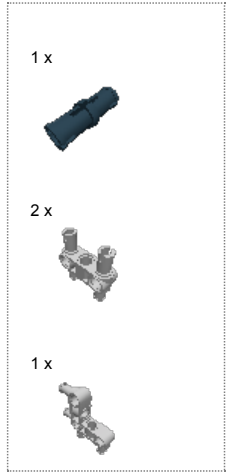
Step 112 of 225



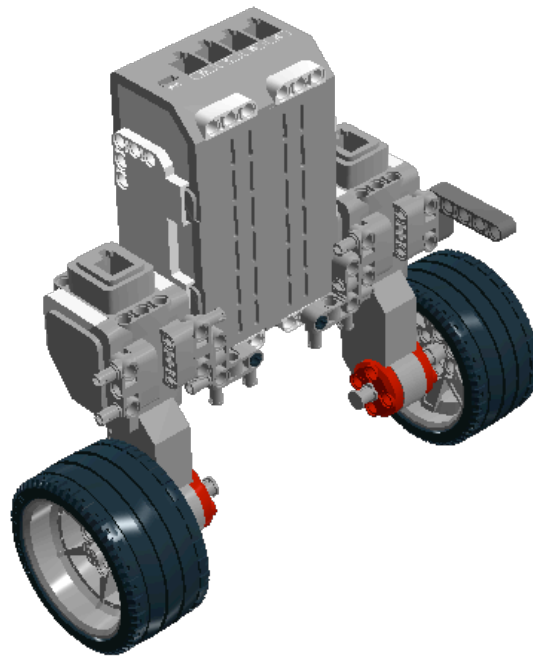
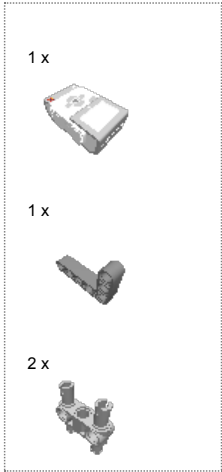
Step 113 of 225



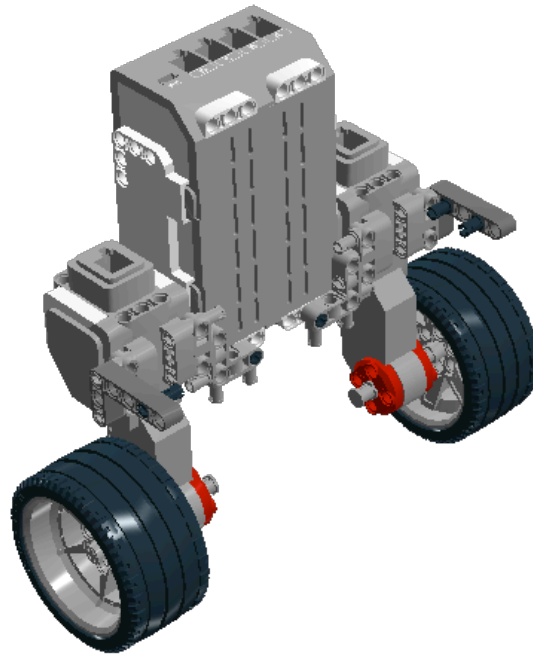
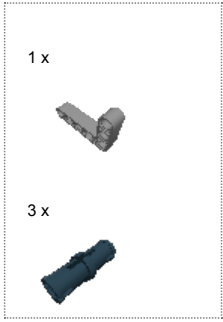
Step 114 of 225



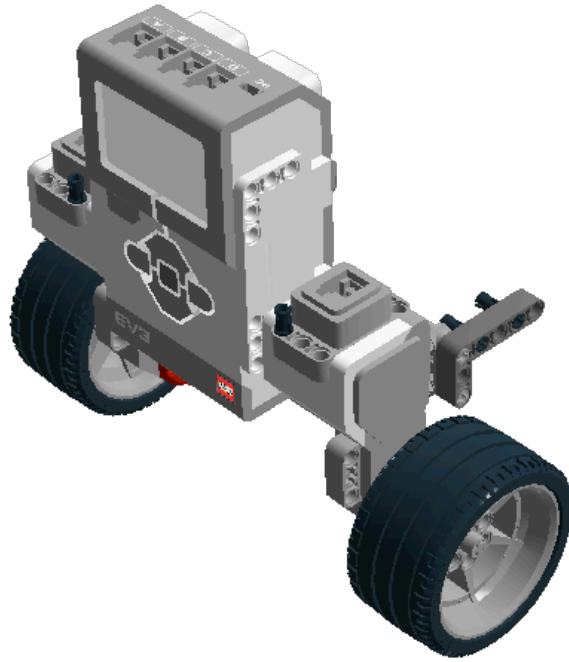
Step 115 of 225



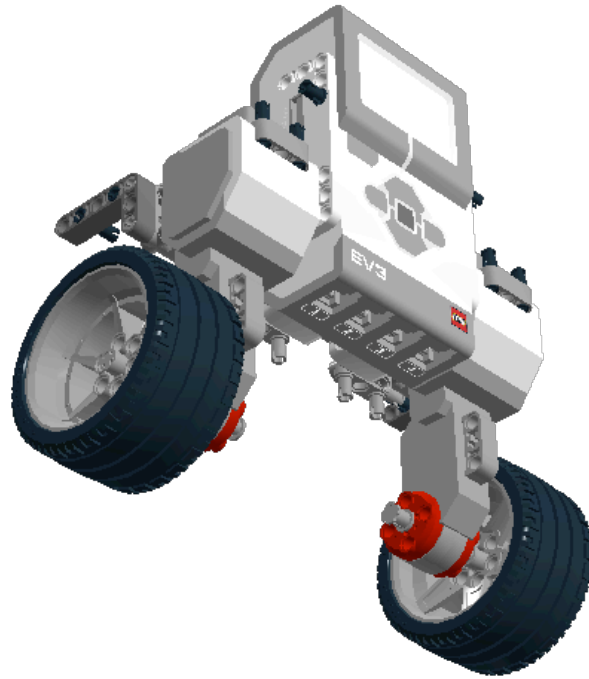
Step 116 of 225



Step 117 of 225

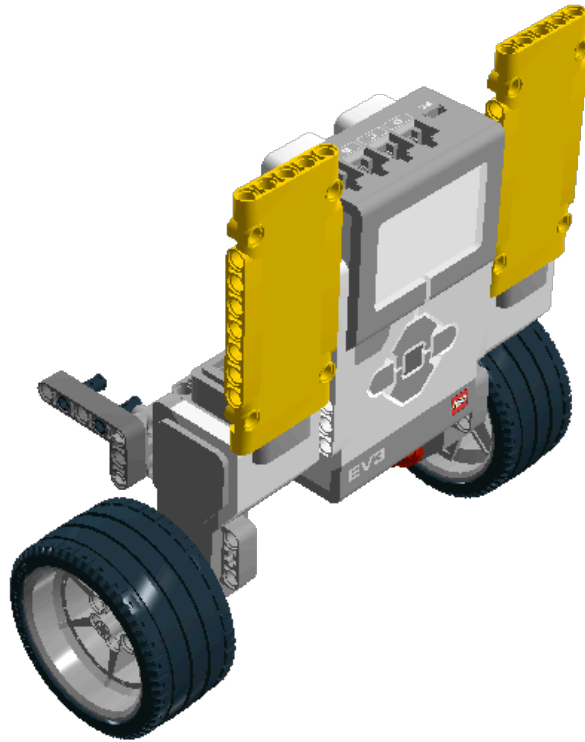


Step 118 of 225

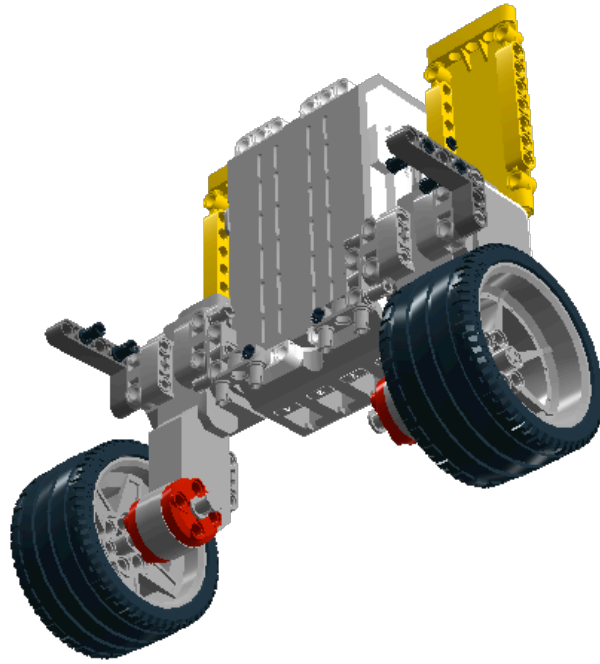


Step 119 of 225

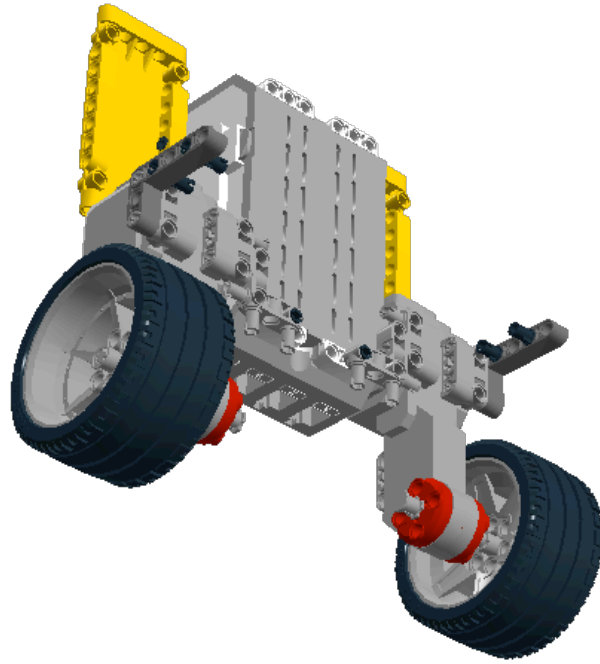
2 x



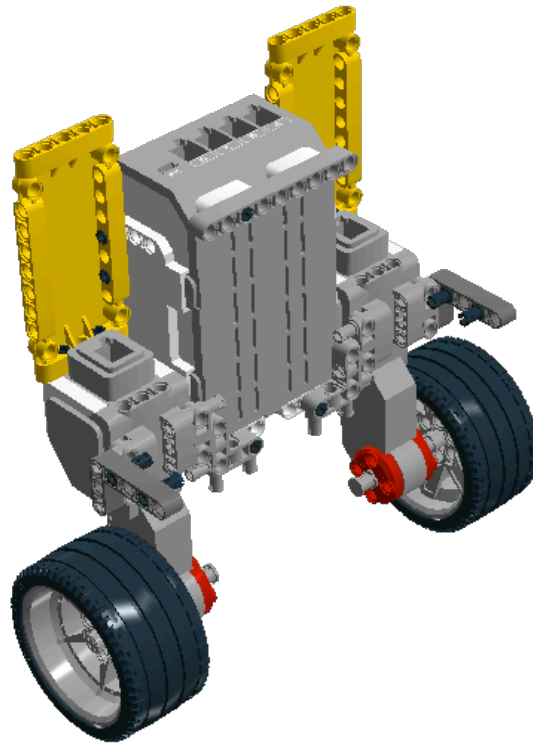
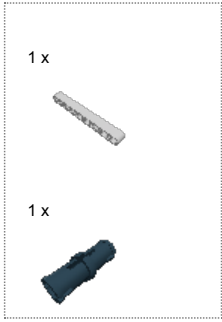
Step 120 of 225



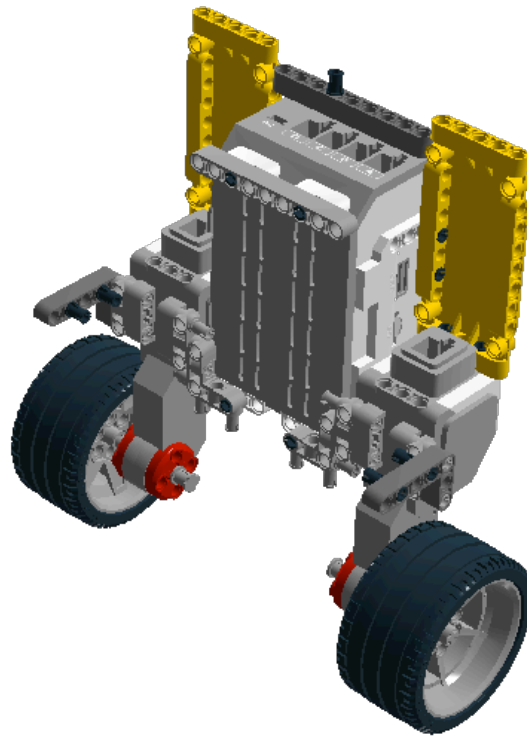
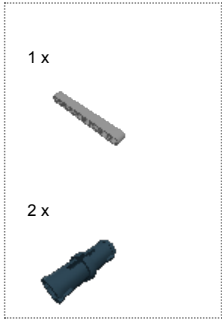
Step 121 of 225



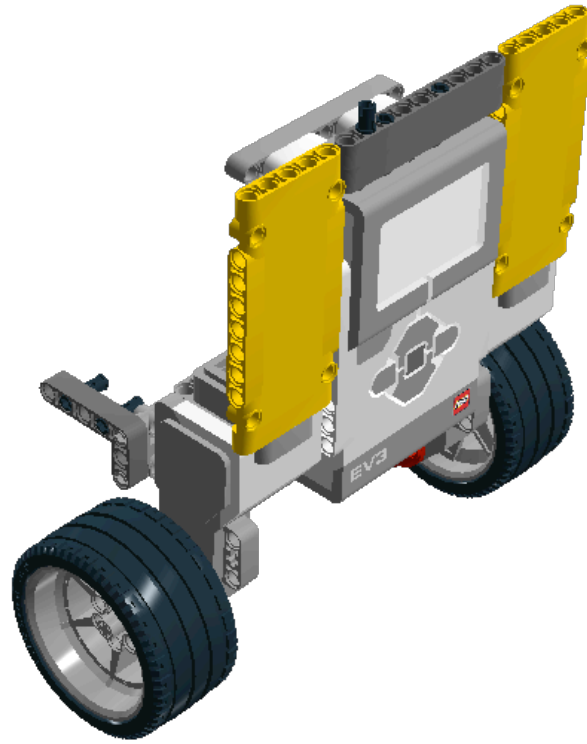
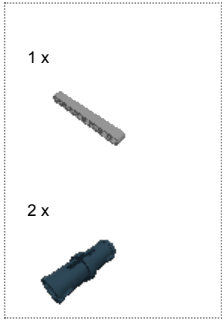
Step 122 of 225



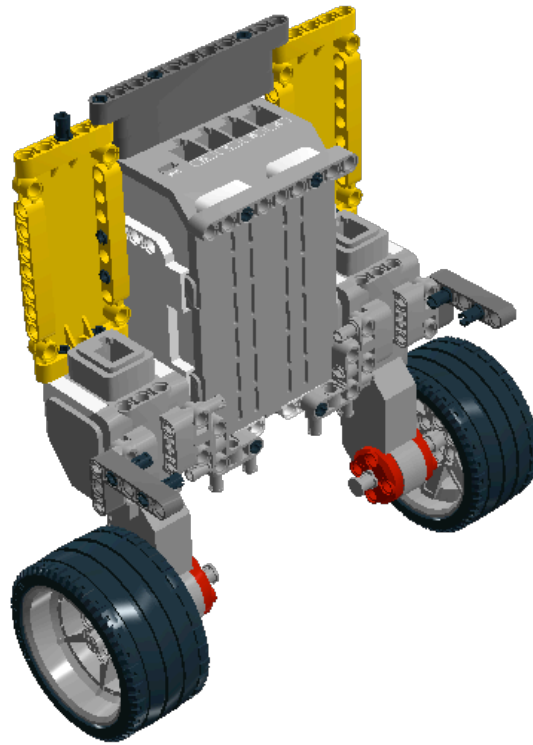
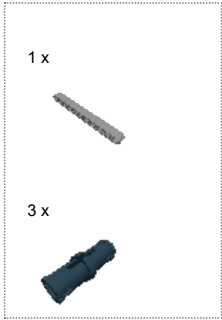
Step 123 of 225



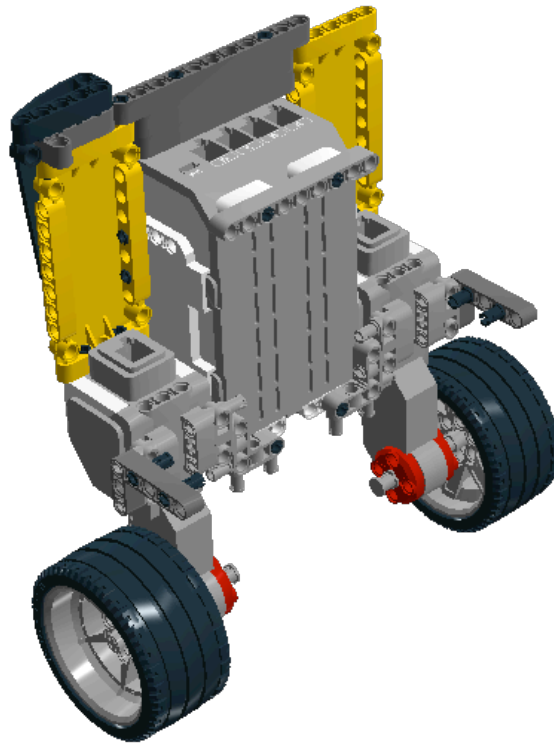
Step 124 of 225



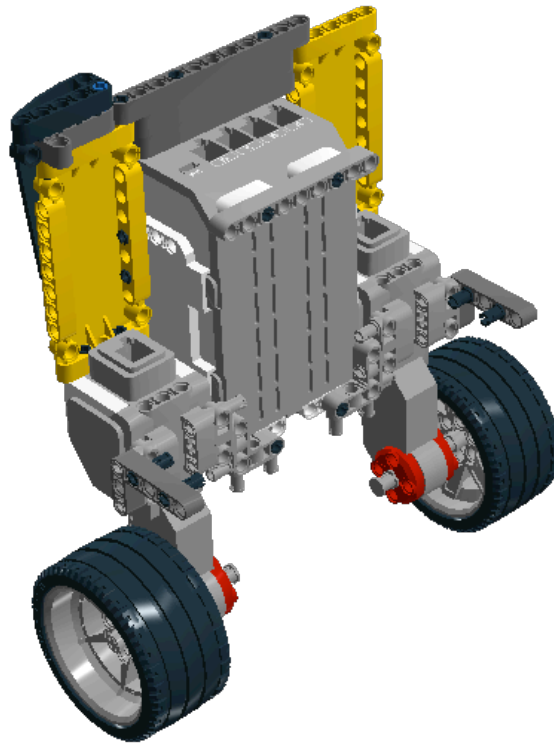
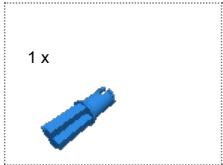
Step 125 of 225



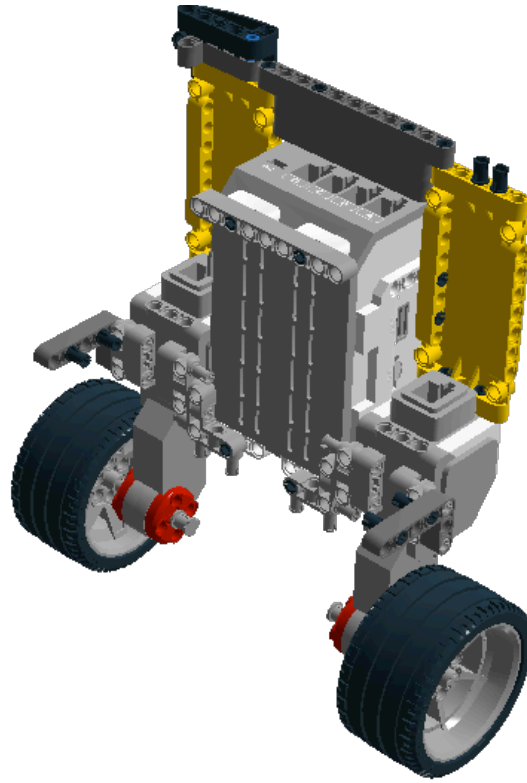
Step 126 of 225



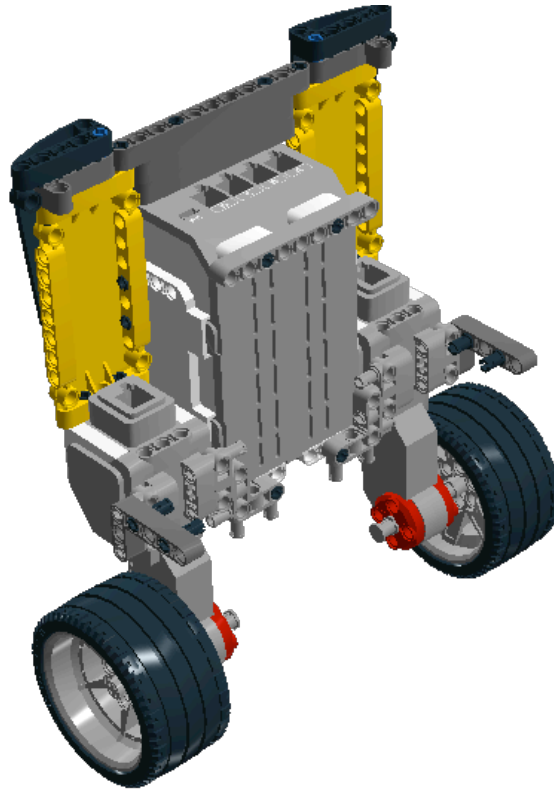
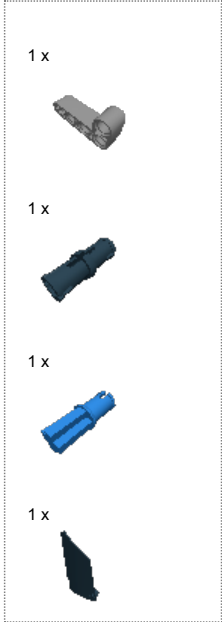
Step 127 of 225



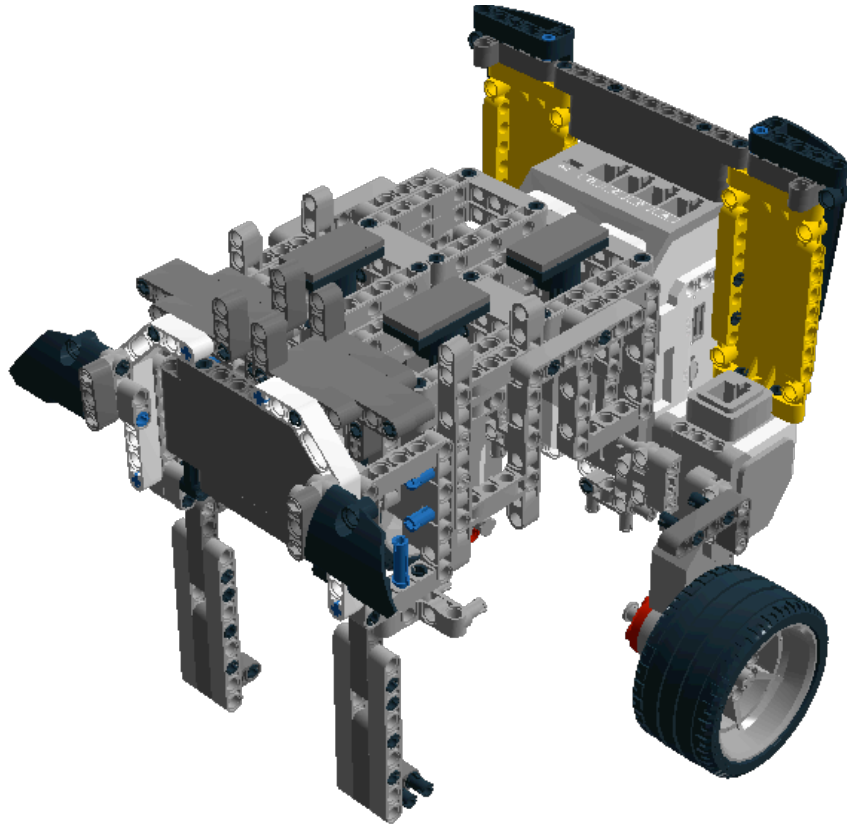
Step 128 of 225



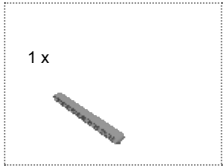
Step 129 of 225



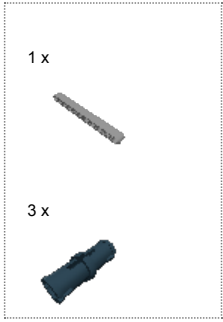
Step 130 of 225



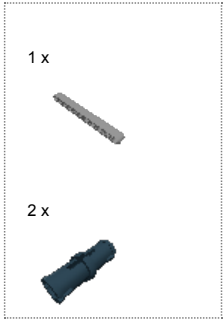
Step 131 of 225



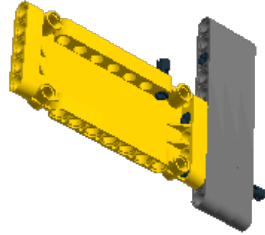
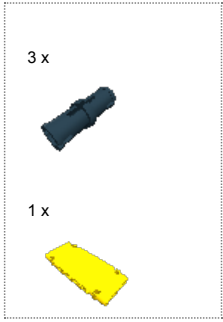
Step 132 of 225



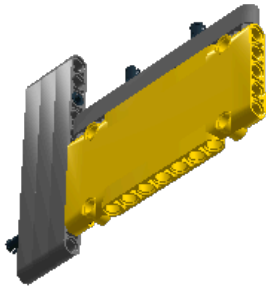
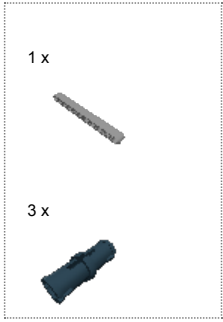
Step 133 of 225



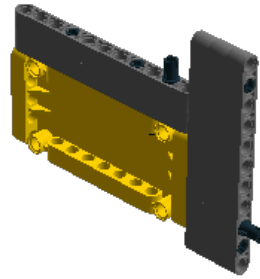
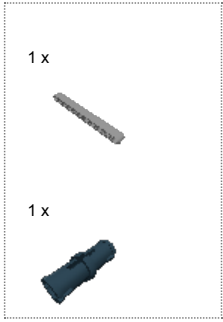
Step 134 of 225



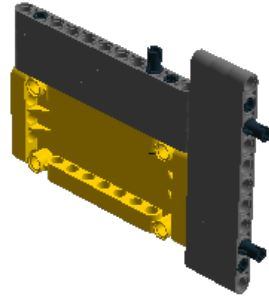
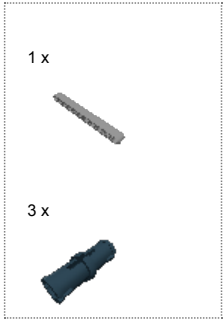
Step 135 of 225



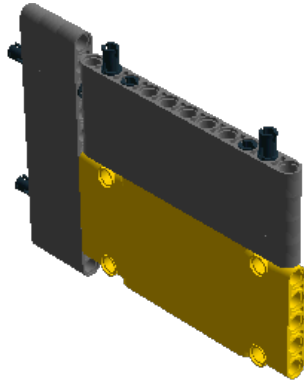
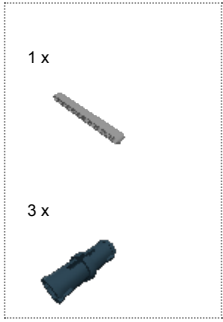
Step 136 of 225



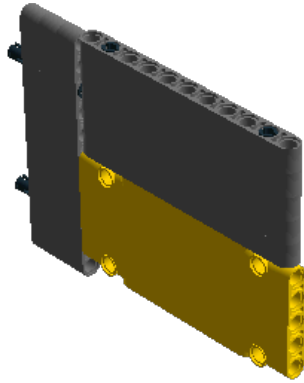
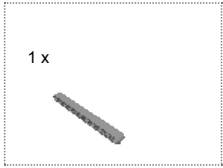
Step 137 of 225



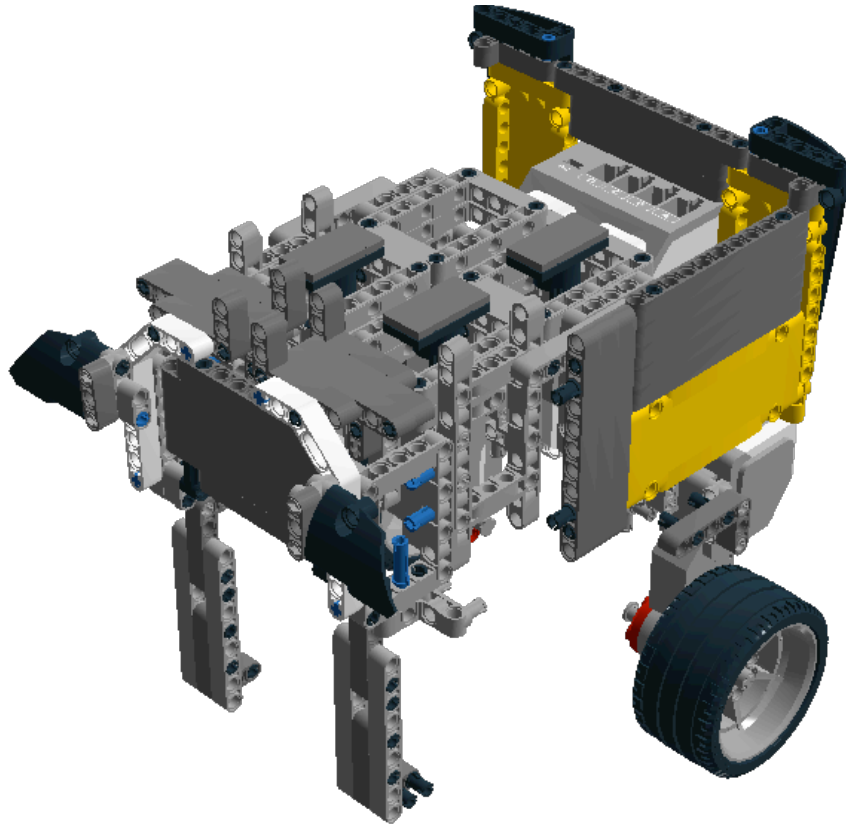
Step 138 of 225



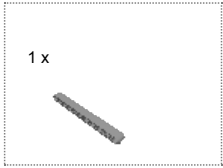
Step 139 of 225



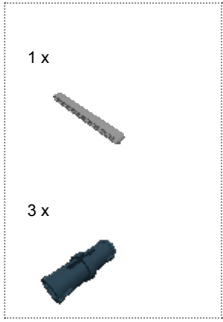
Step 140 of 225



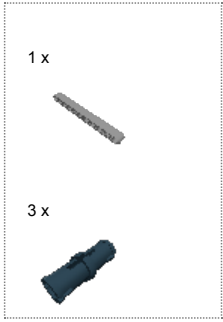
Step 141 of 225



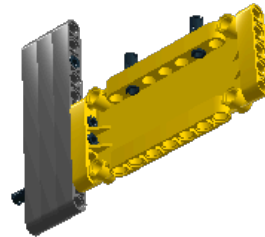
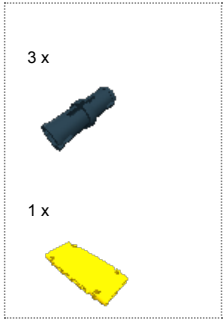
Step 142 of 225



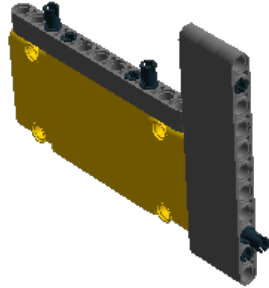
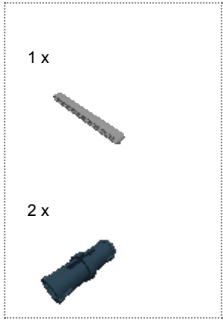
Step 143 of 225



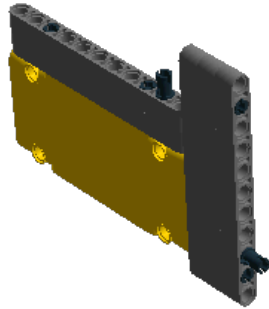
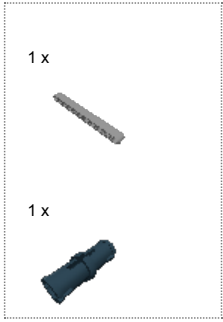
Step 144 of 225



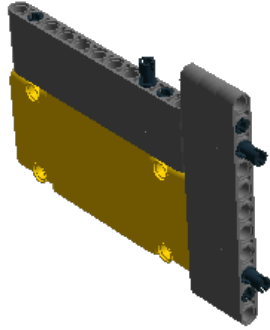
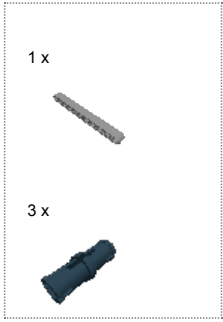
Step 145 of 225



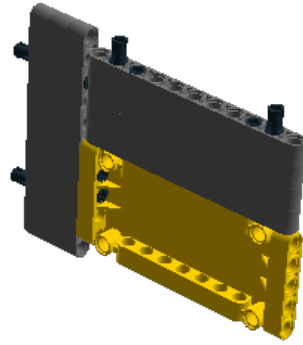
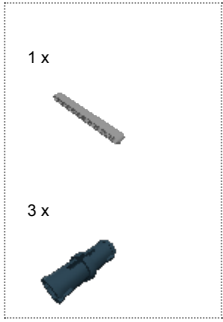
Step 146 of 225



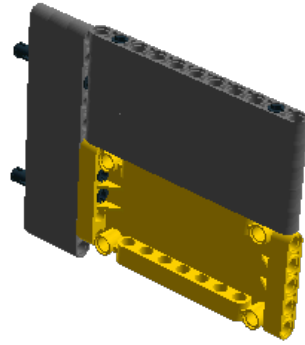
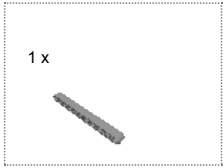
Step 147 of 225



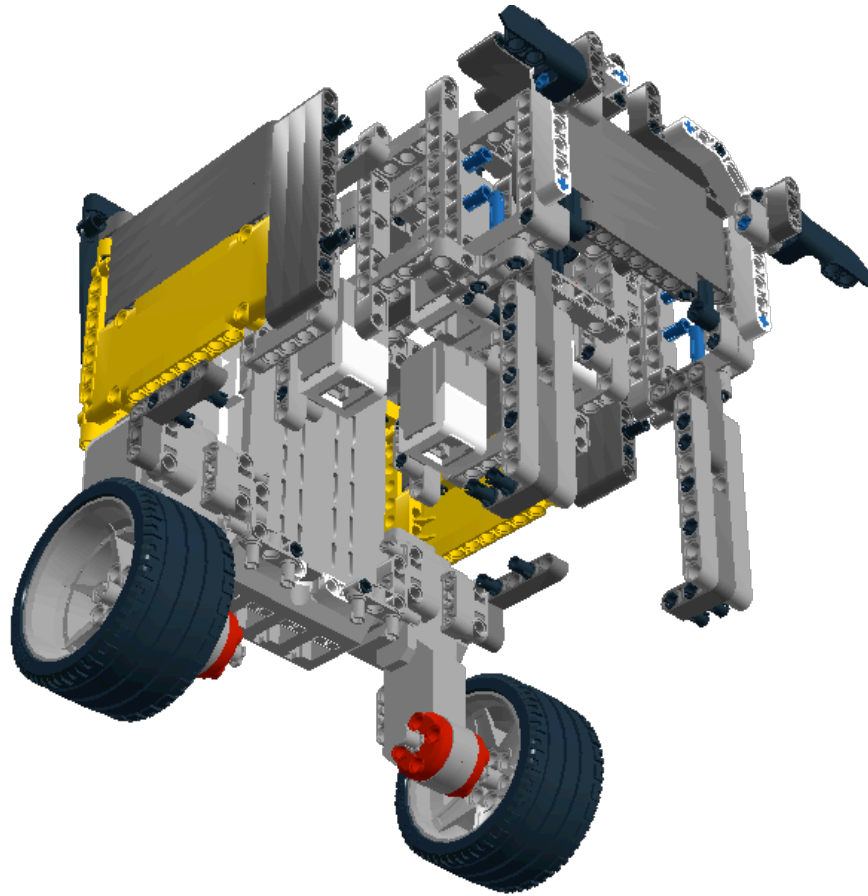
Step 148 of 225



Step 149 of 225



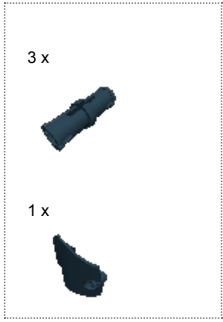
Step 150 of 225



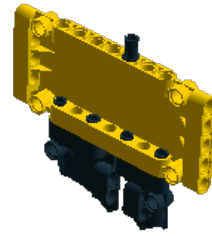
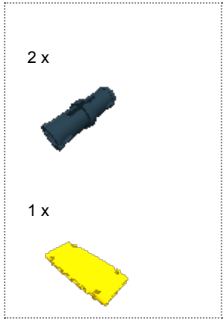
Step 151 of 225



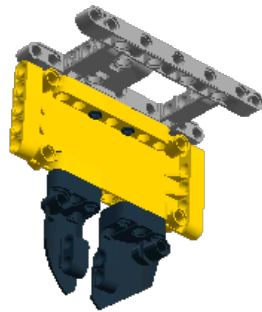
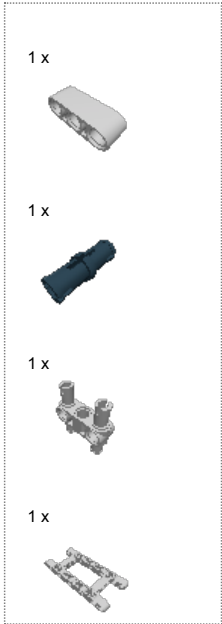
Step 152 of 225



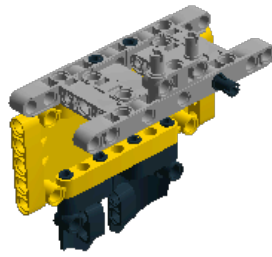
Step 153 of 225



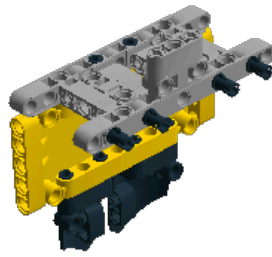
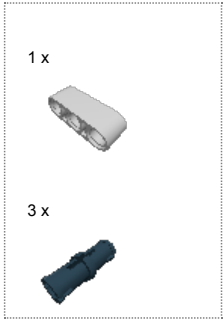
Step 154 of 225



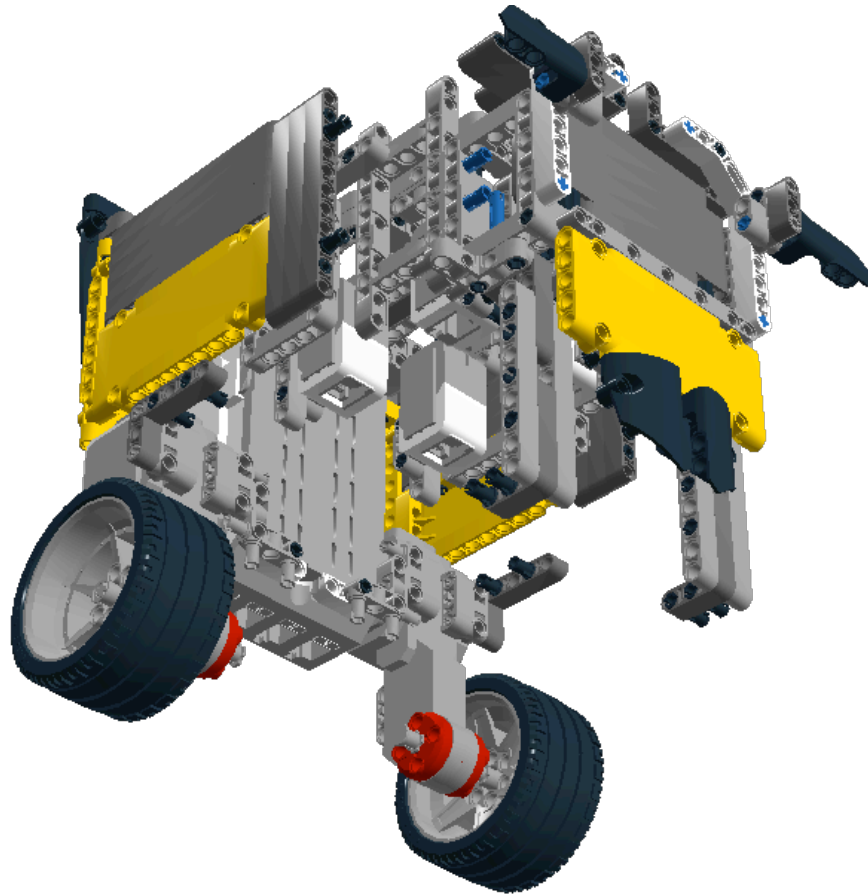
Step 155 of 225



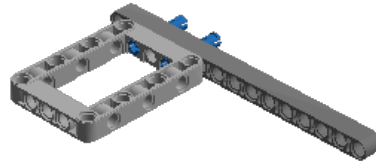
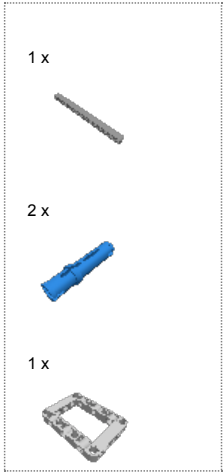
Step 156 of 225



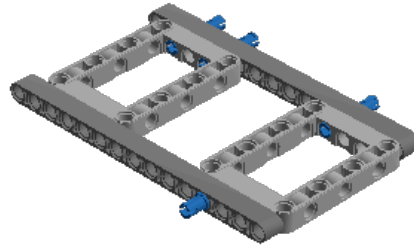
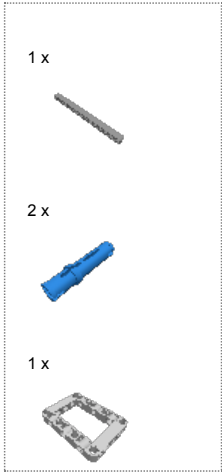
Step 157 of 225



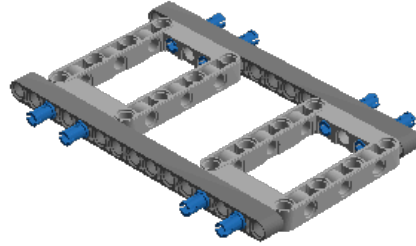
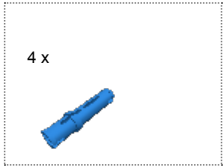
Step 158 of 225



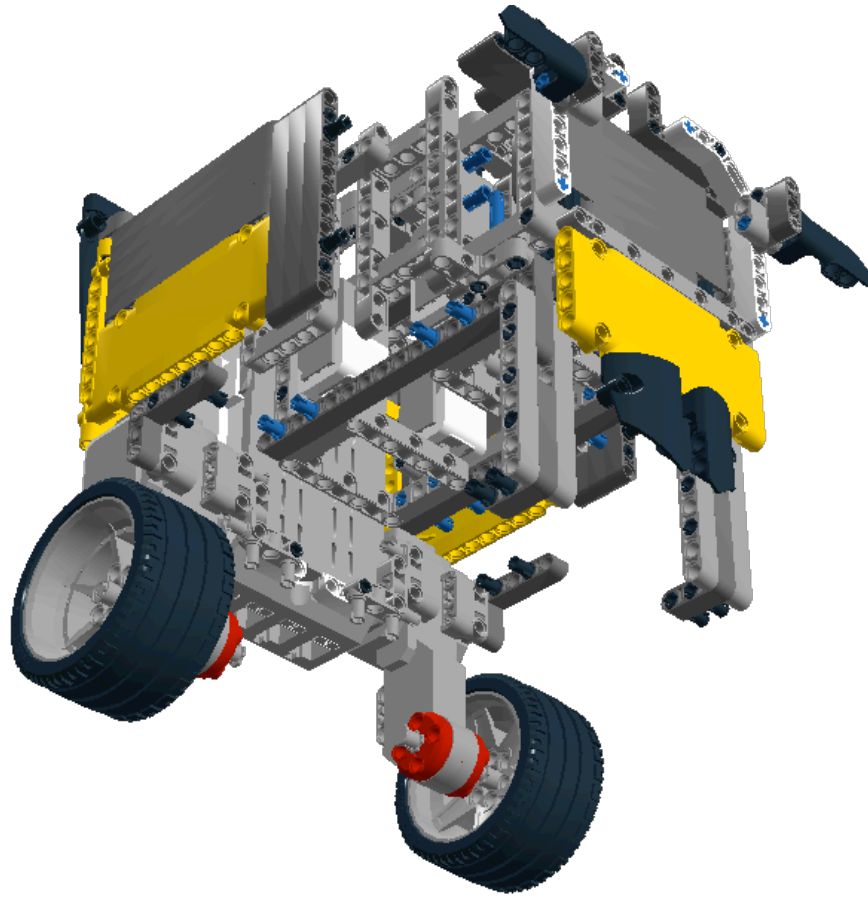
Step 159 of 225



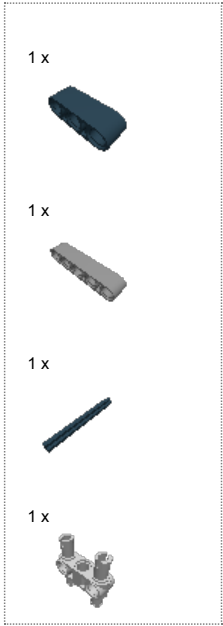
Step 160 of 225



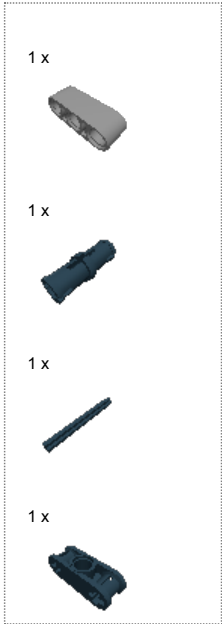
Step 161 of 225



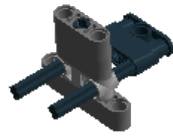
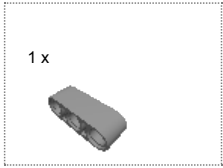
Step 162 of 225



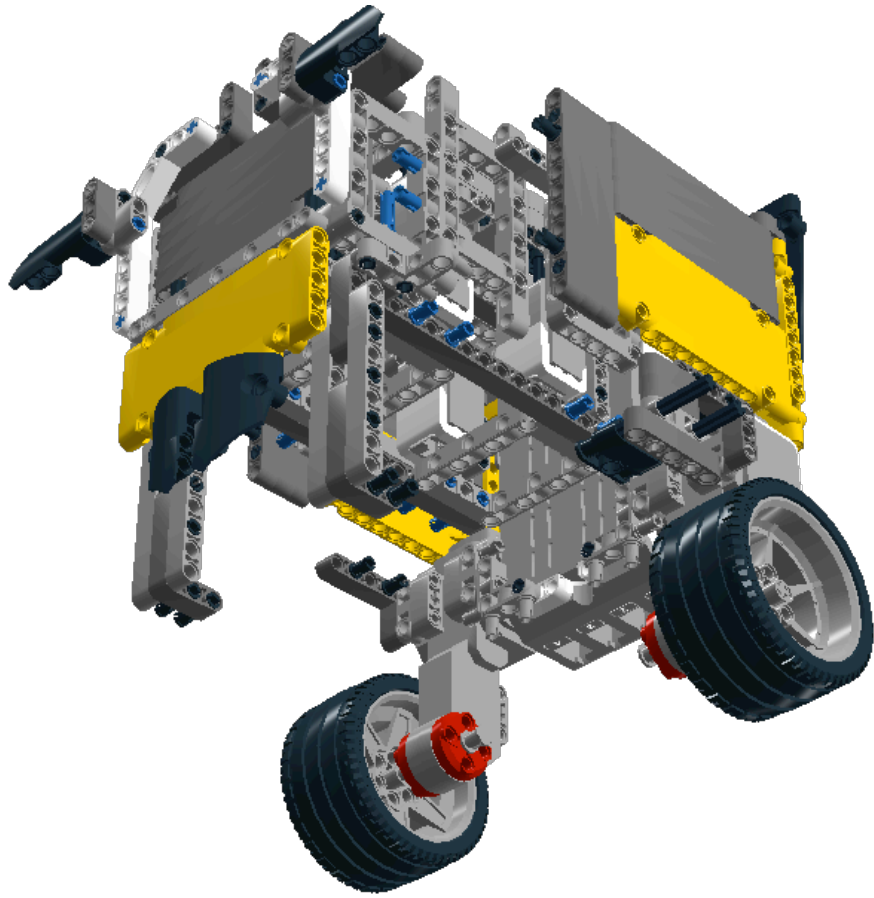
Step 163 of 225



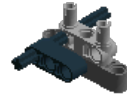
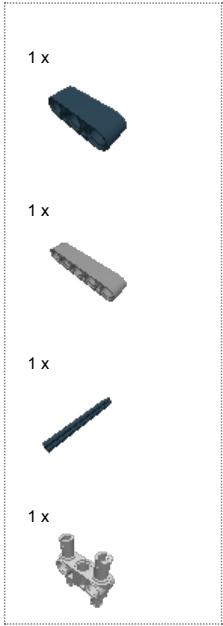
Step 164 of 225



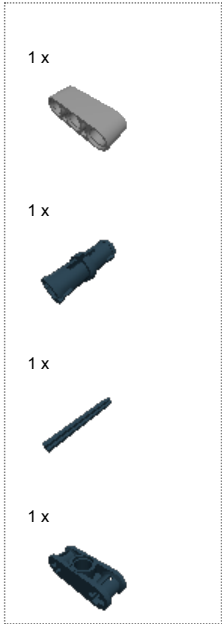
Step 165 of 225



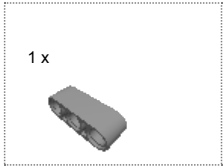
Step 166 of 225



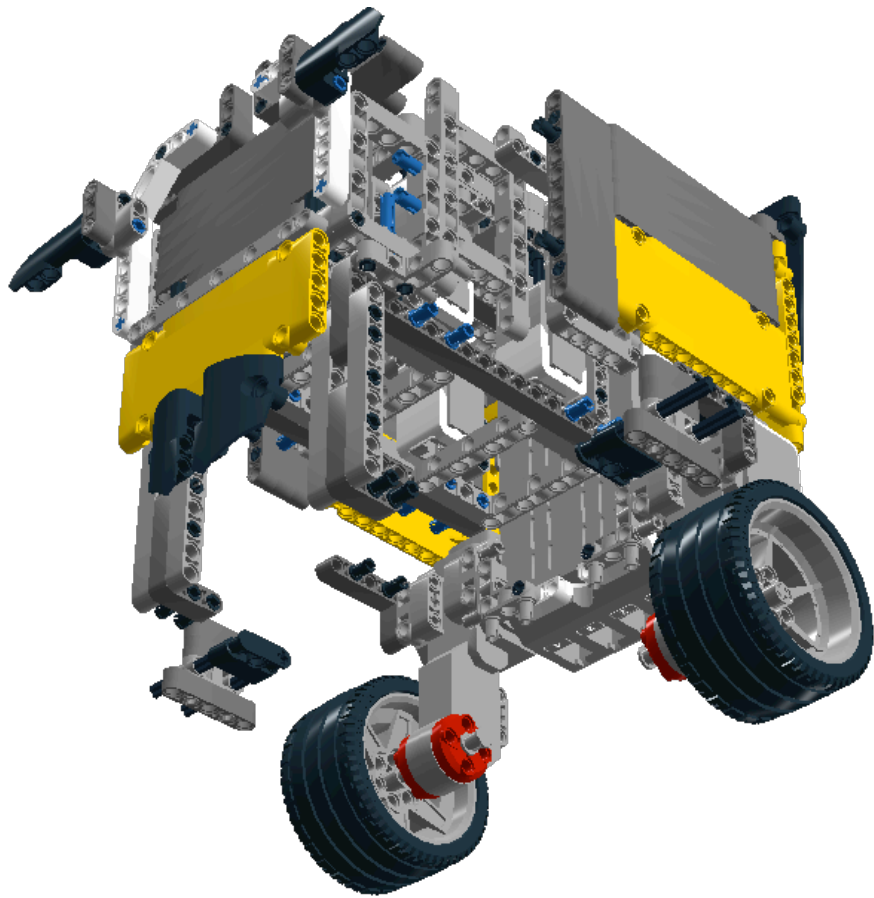
Step 167 of 225



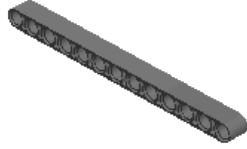
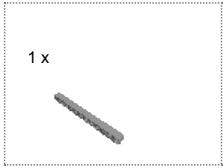
Step 168 of 225



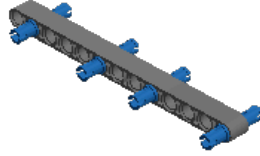
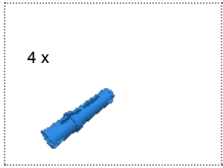
Step 169 of 225



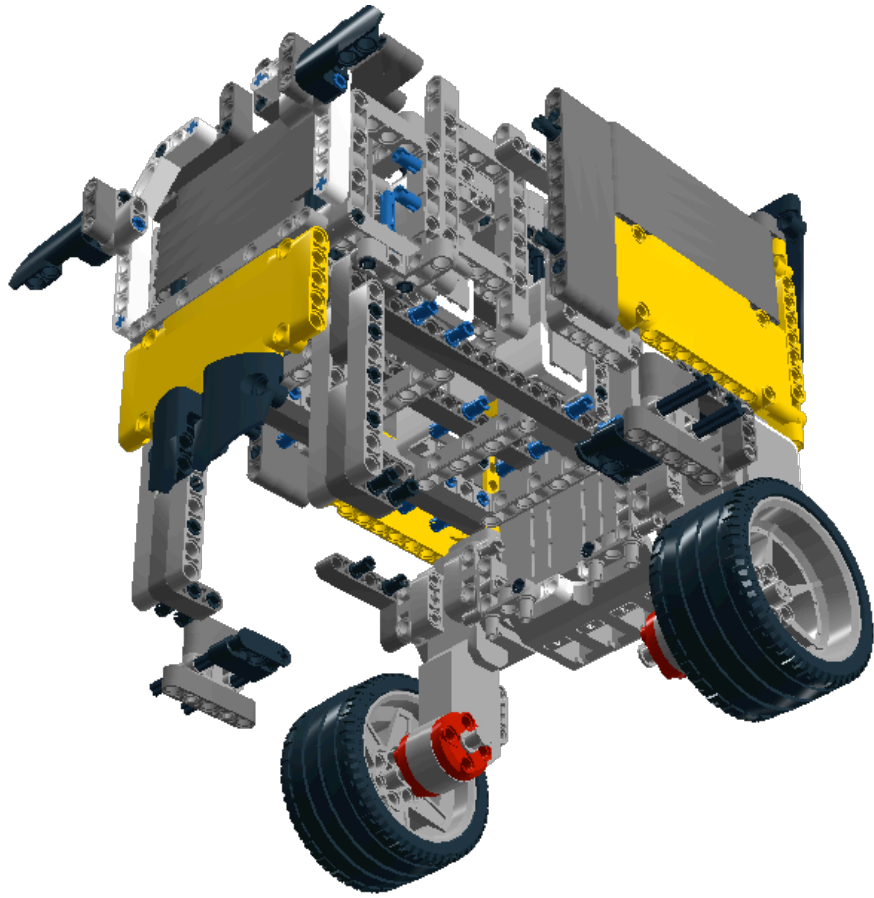
Step 170 of 225



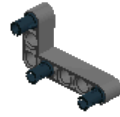
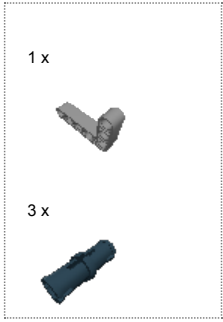
Step 171 of 225



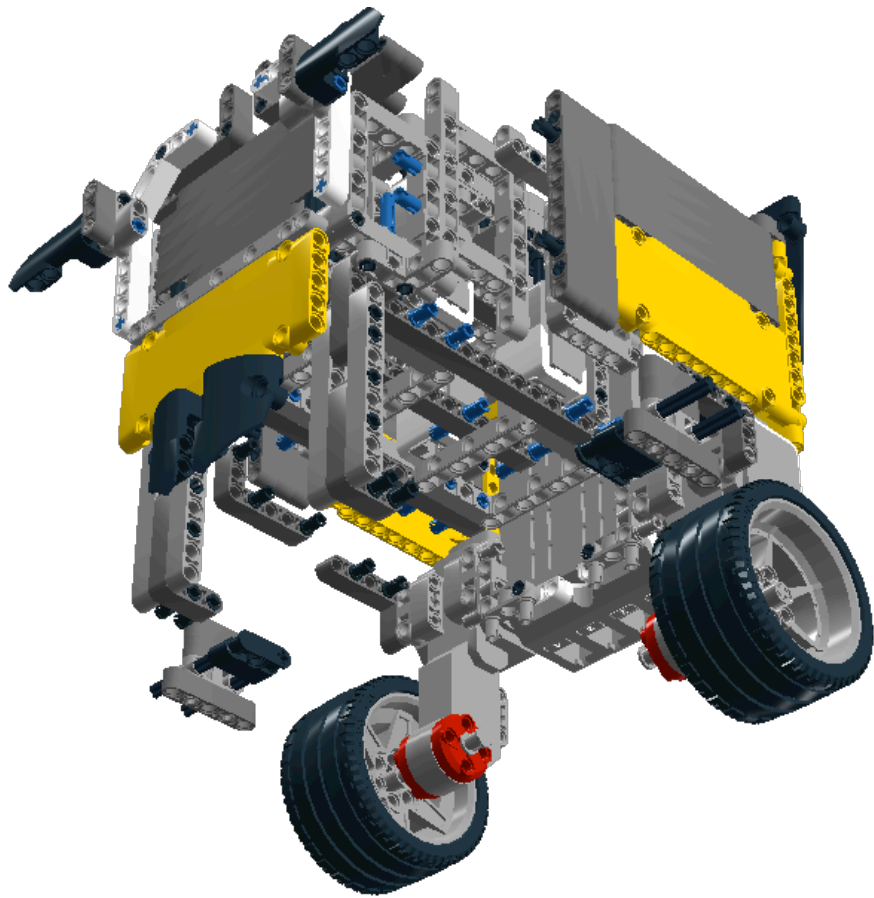
Step 172 of 225



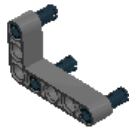
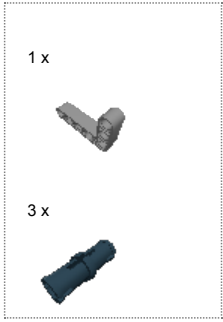
Step 173 of 225



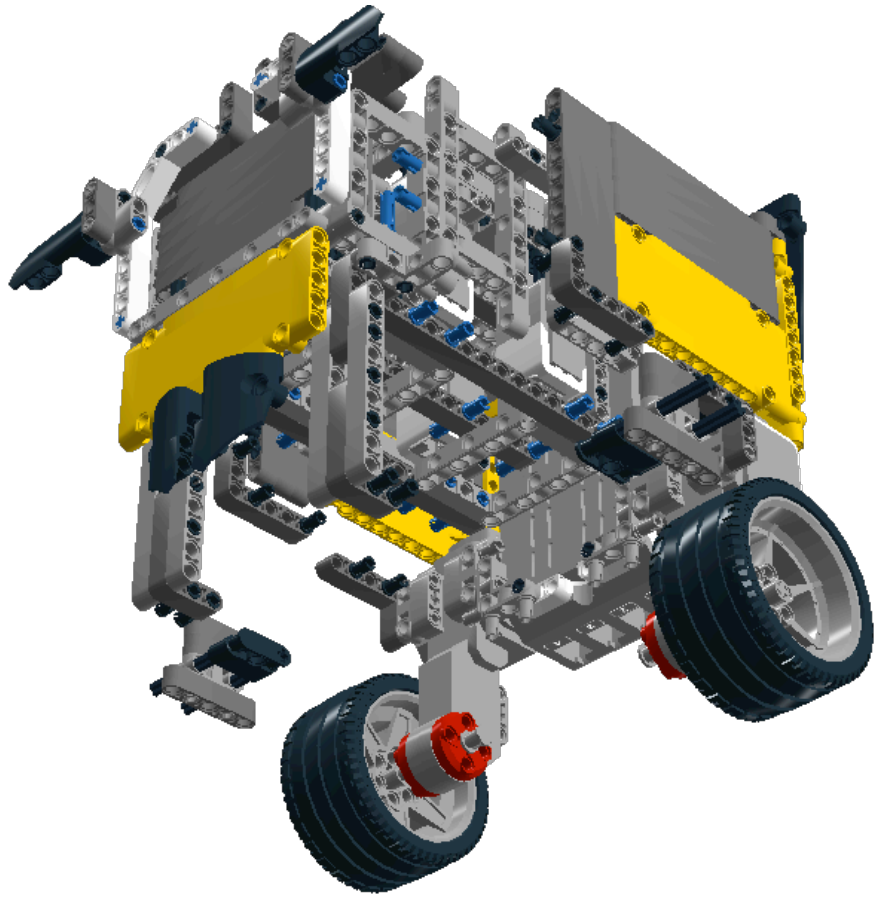
Step 174 of 225



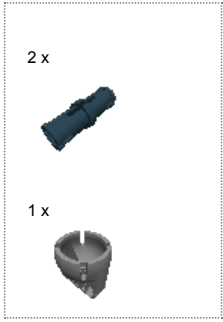
Step 175 of 225



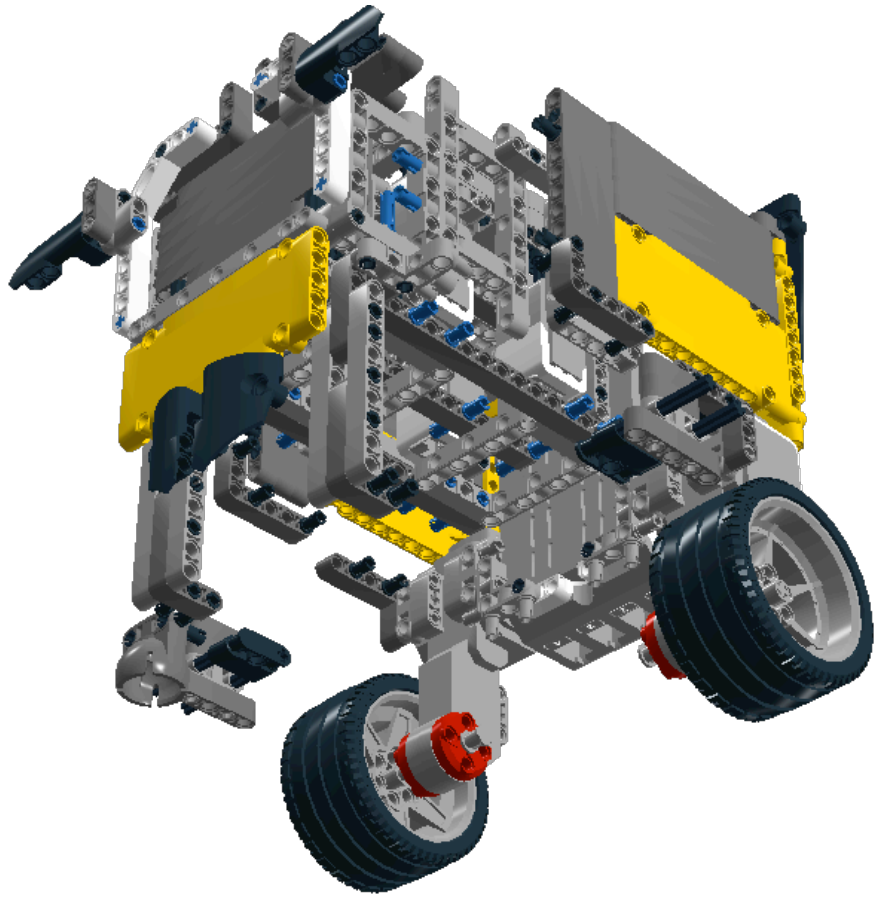
Step 176 of 225



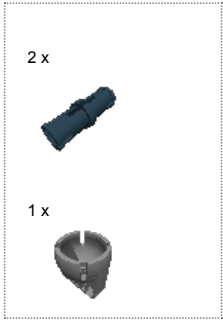
Step 177 of 225



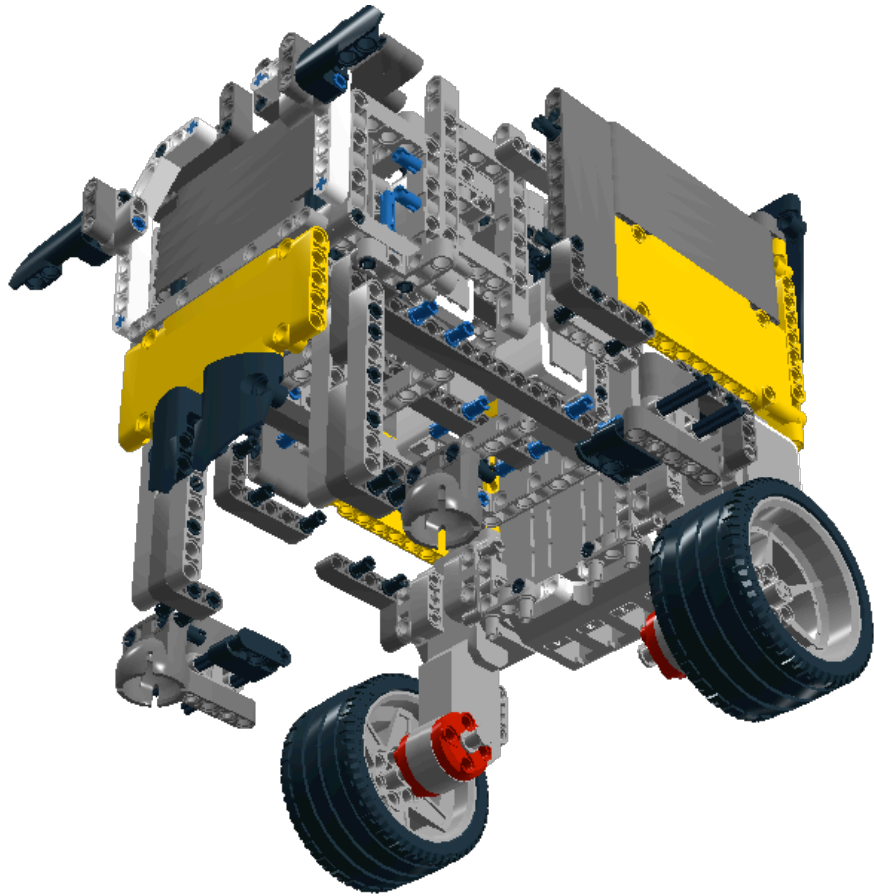
Step 178 of 225



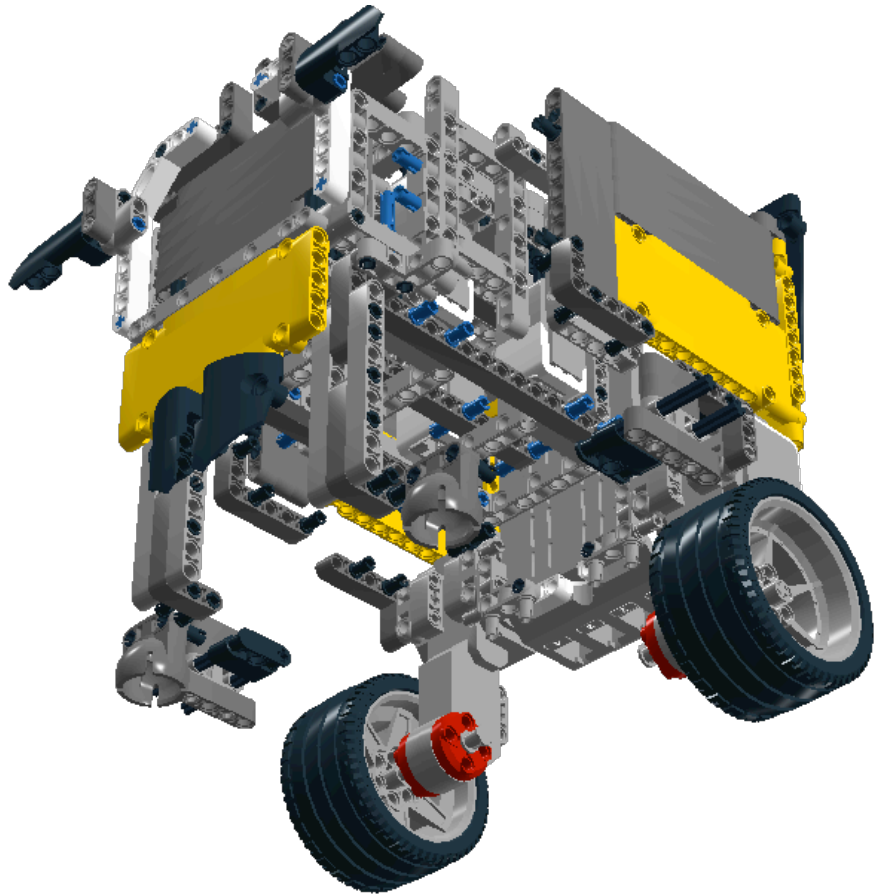
Step 179 of 225



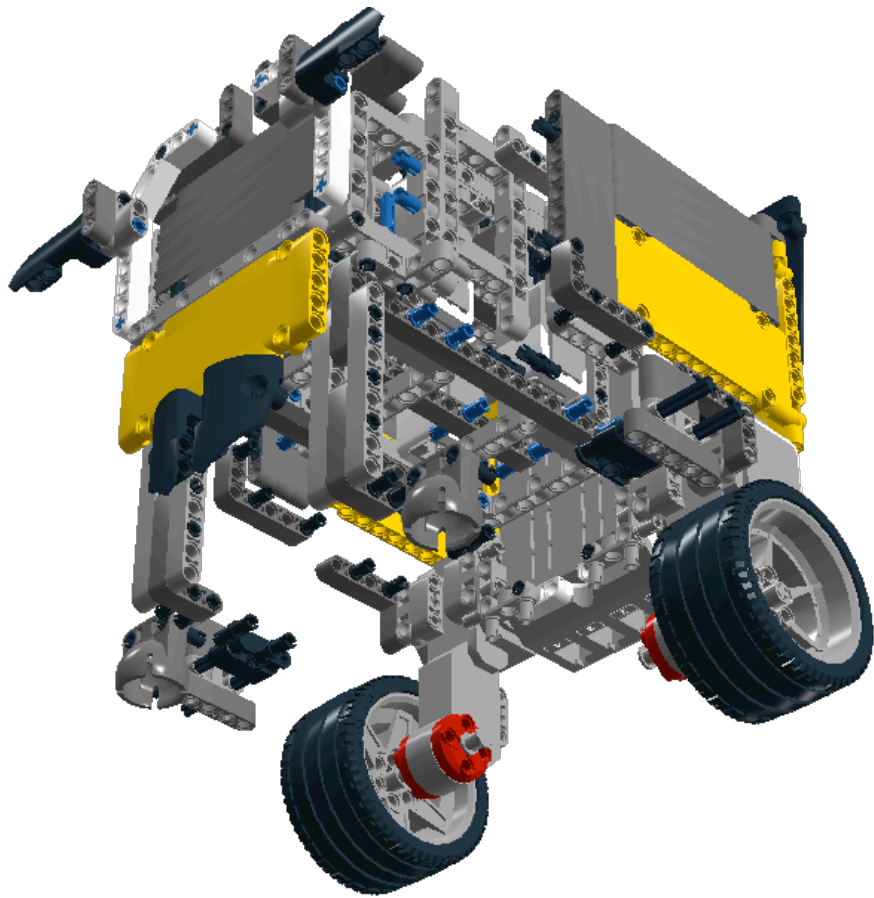
Step 180 of 225



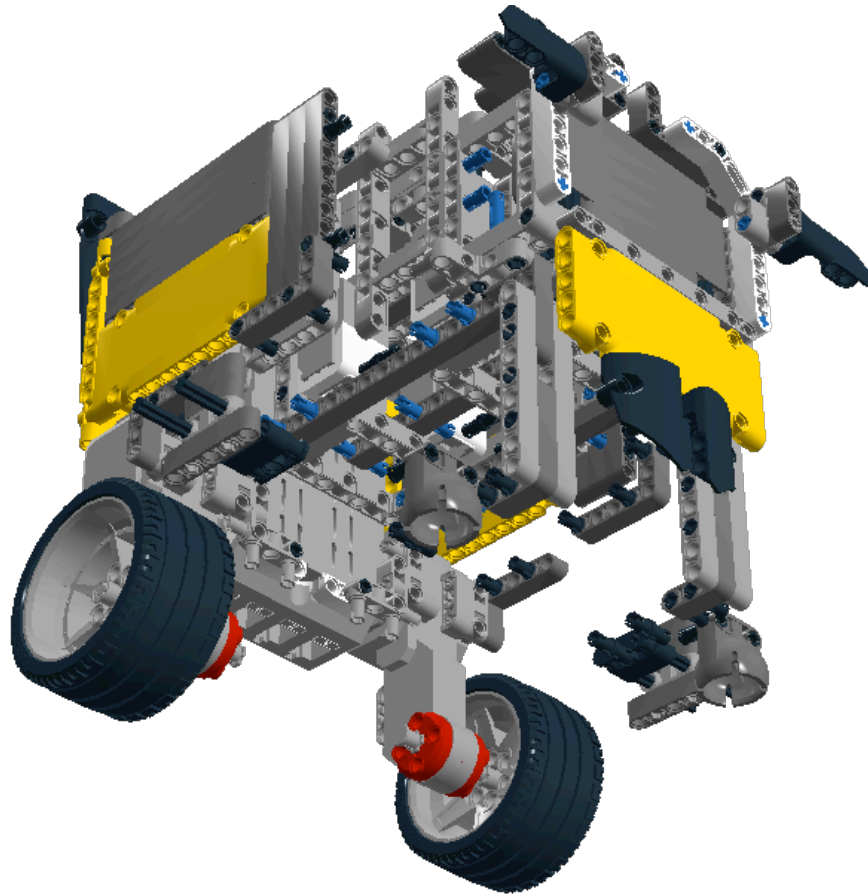
Step 181 of 225



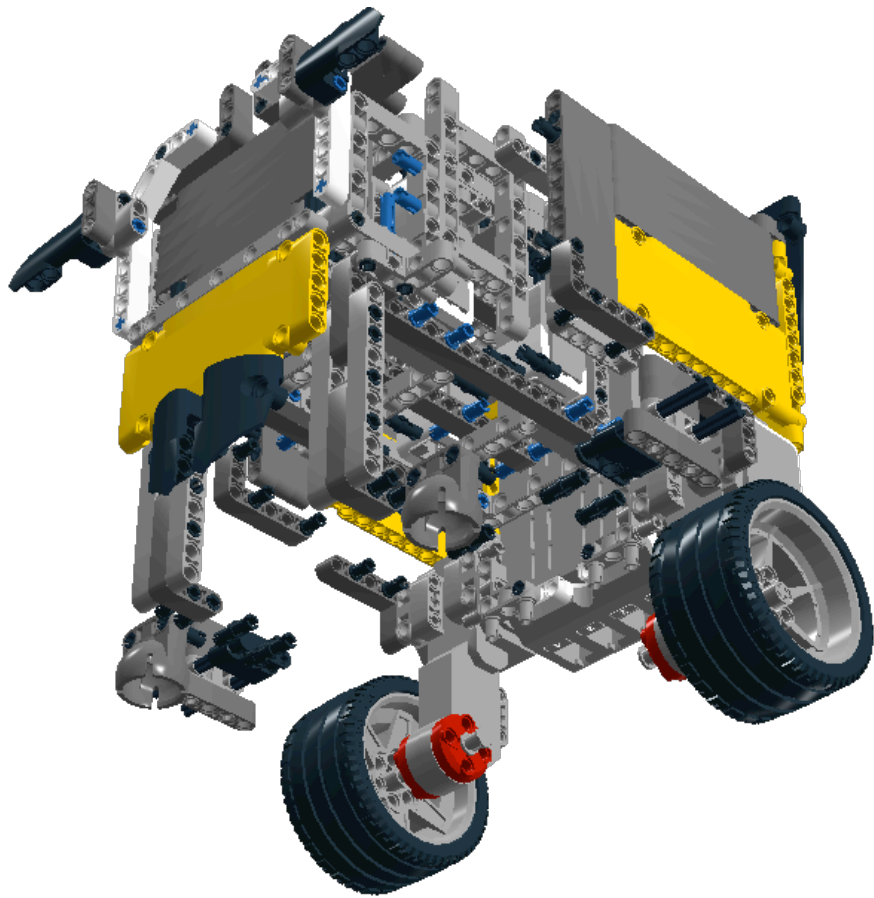
Step 182 of 225



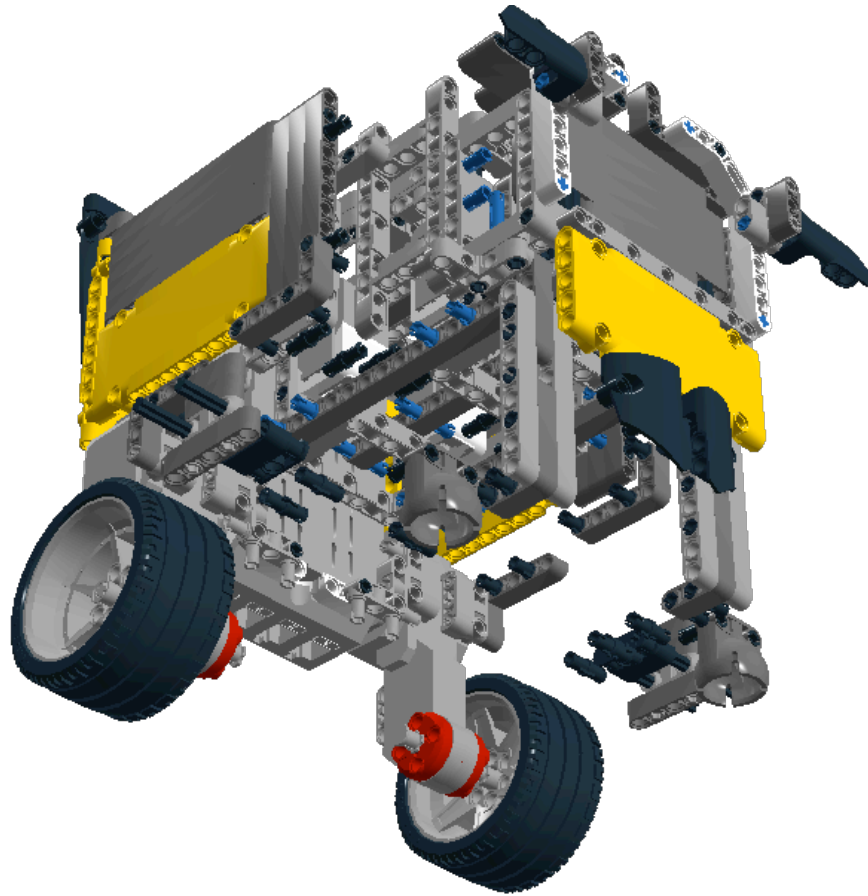
Step 183 of 225



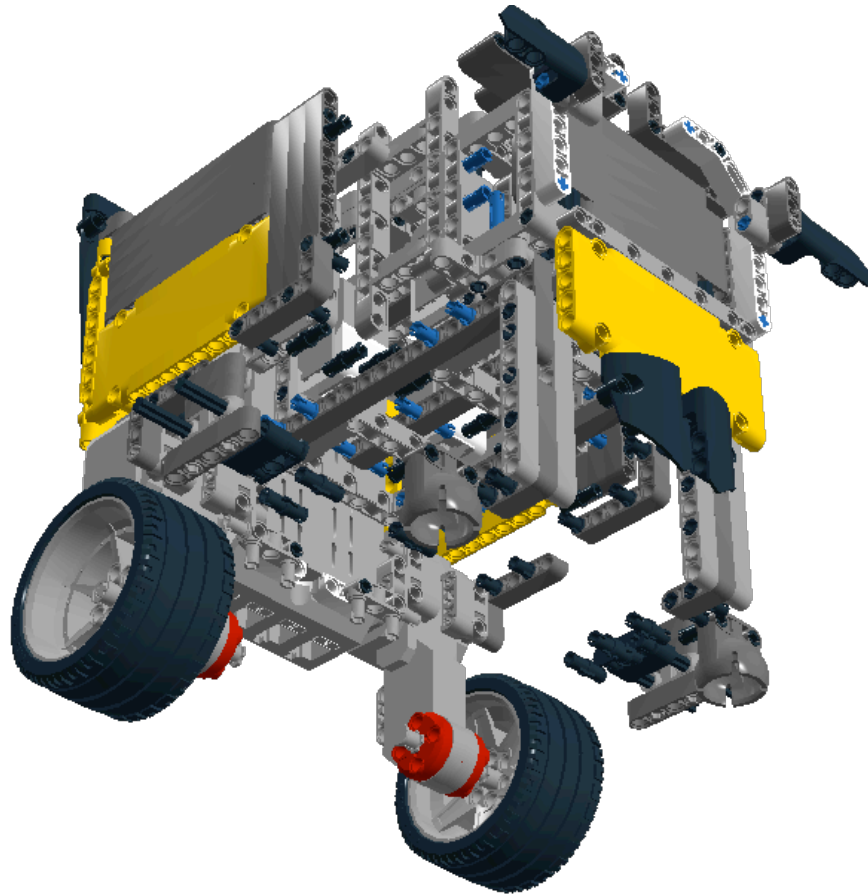
Step 184 of 225



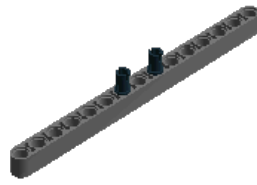
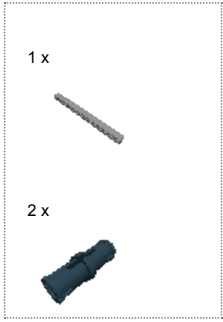
Step 185 of 225



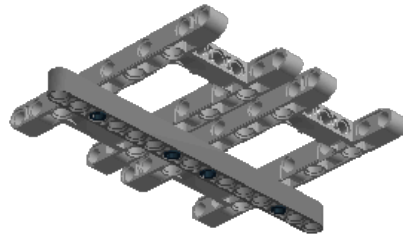
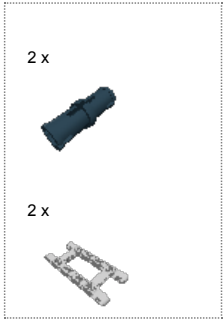
Step 186 of 225



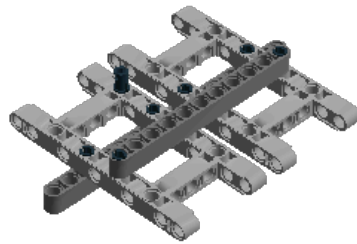
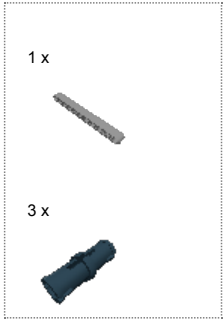
Step 187 of 225



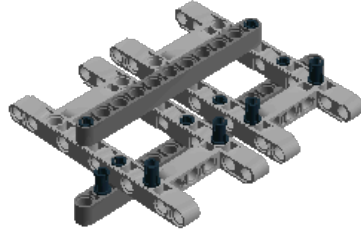
Step 188 of 225



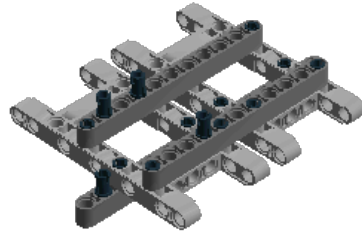
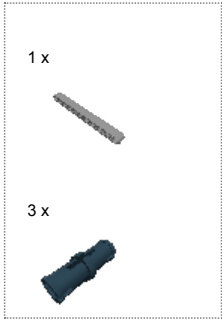
Step 189 of 225



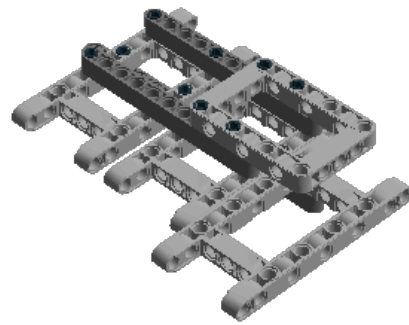
Step 190 of 225



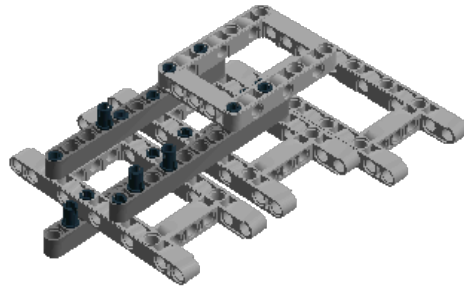
Step 191 of 225



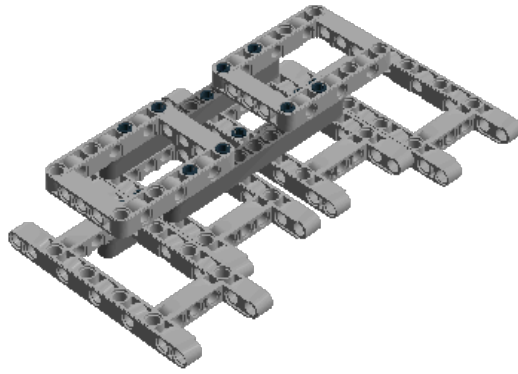
Step 192 of 225



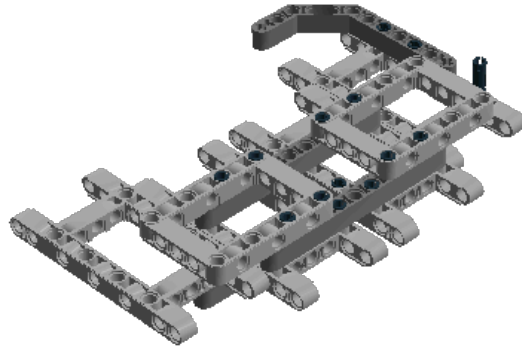
Step 193 of 225



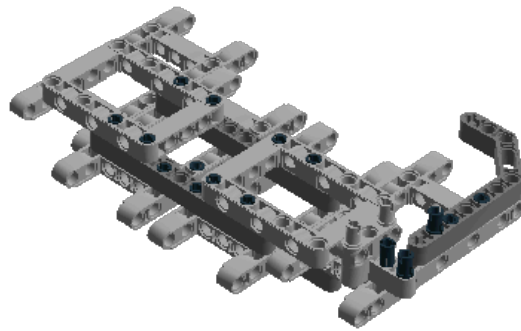
Step 194 of 225



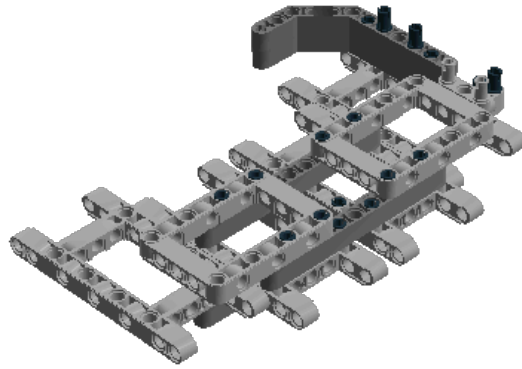
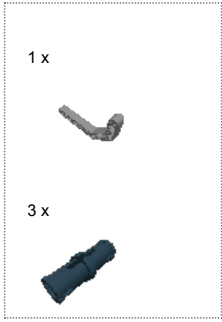
Step 195 of 225



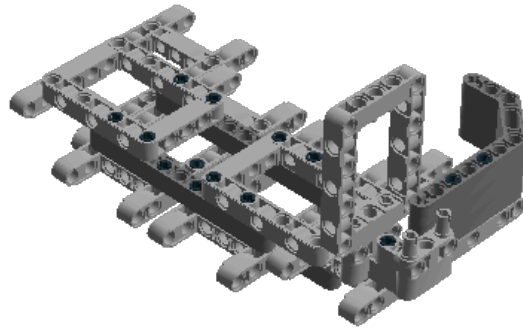
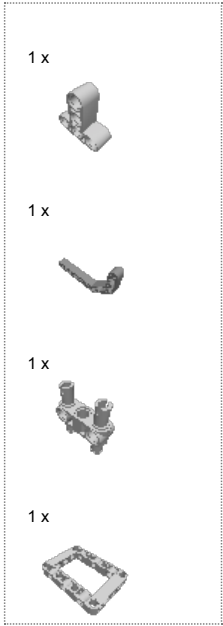
Step 196 of 225



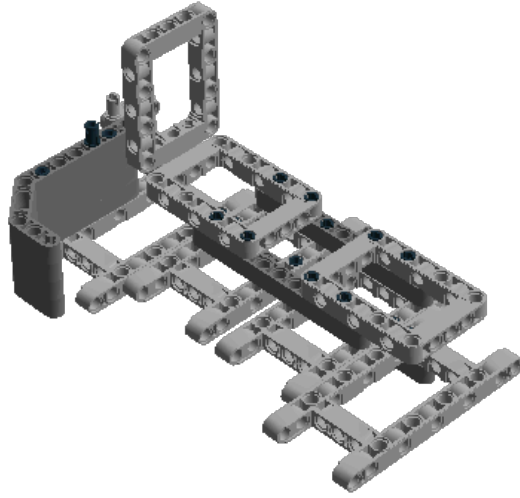
Step 197 of 225



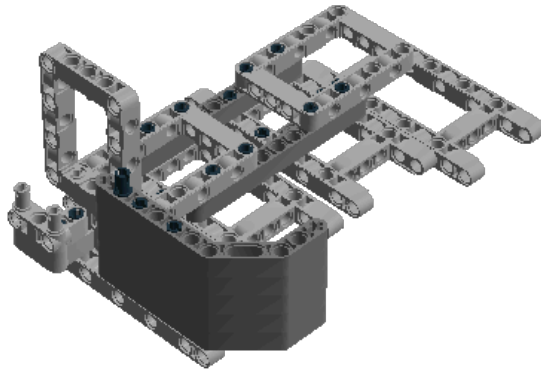
Step 198 of 225



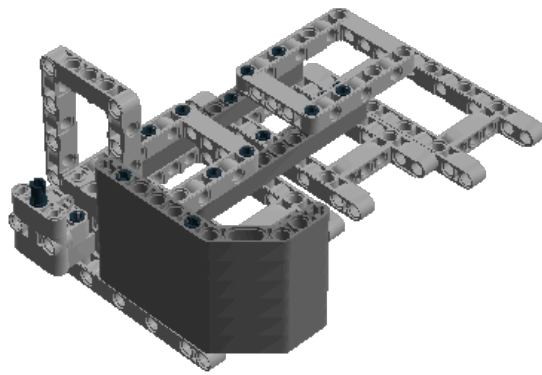
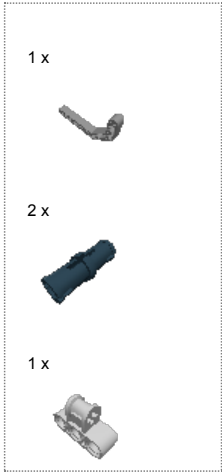
Step 199 of 225



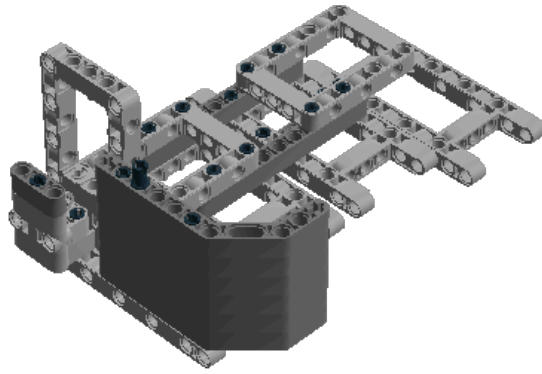
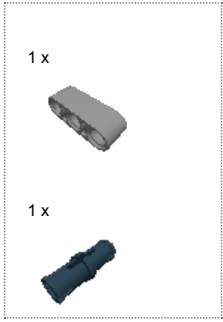
Step 200 of 225



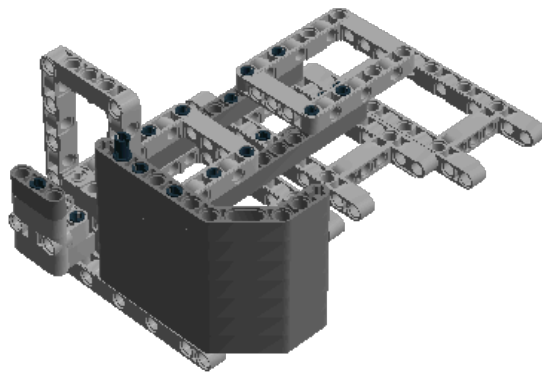
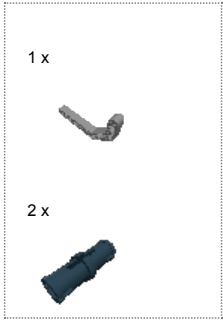
Step 201 of 225



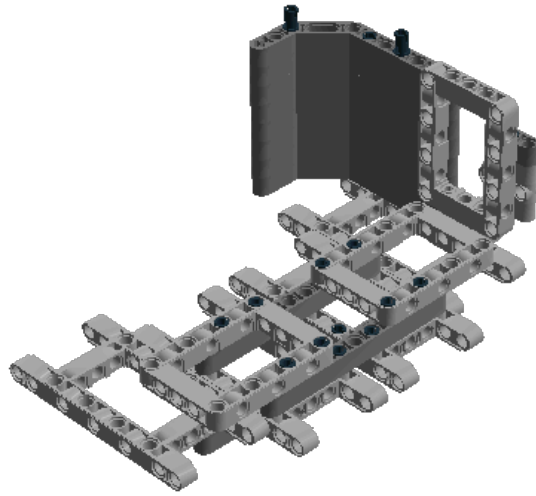
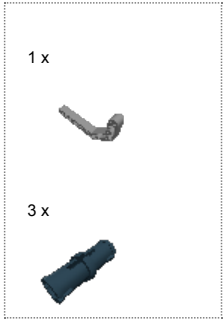
Step 202 of 225



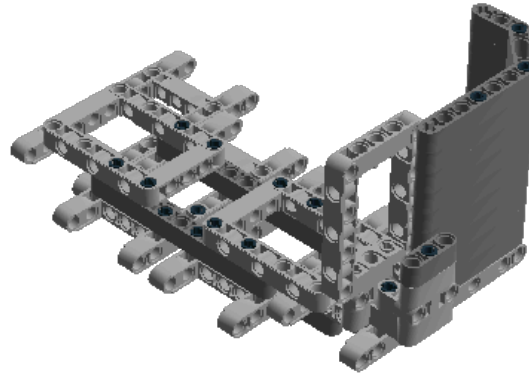
Step 203 of 225



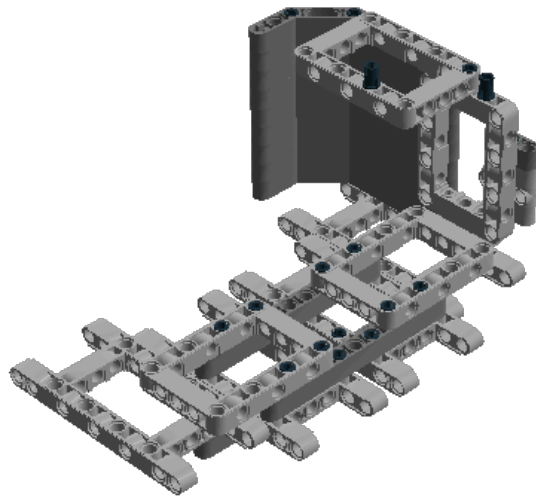
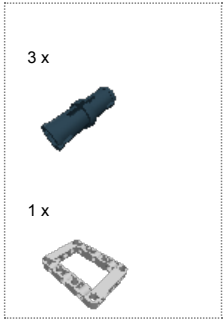
Step 204 of 225



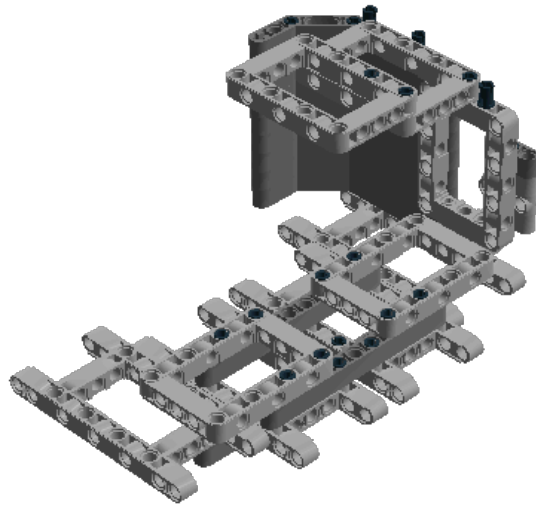
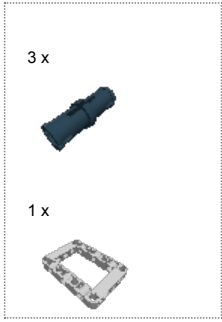
Step 205 of 225



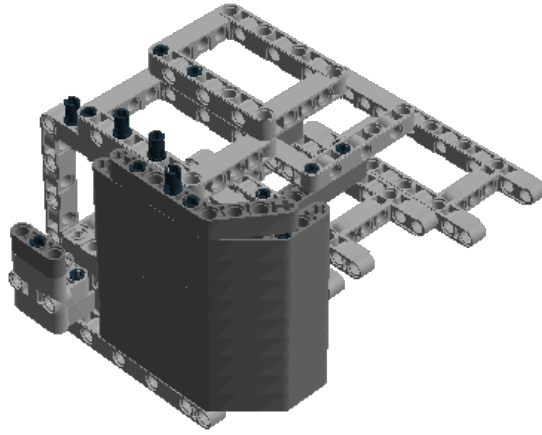
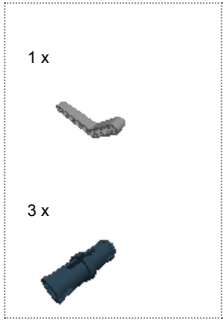
Step 206 of 225



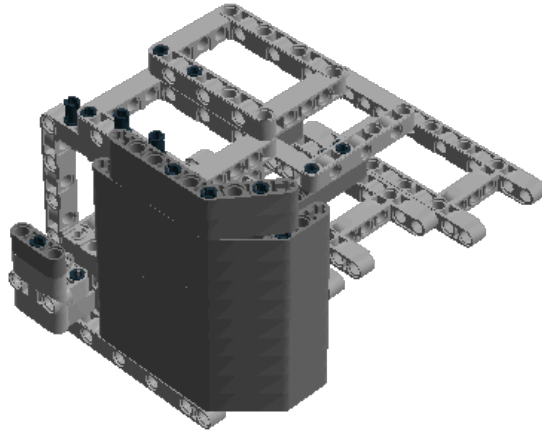
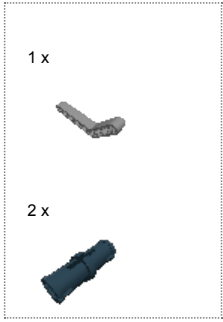
Step 207 of 225



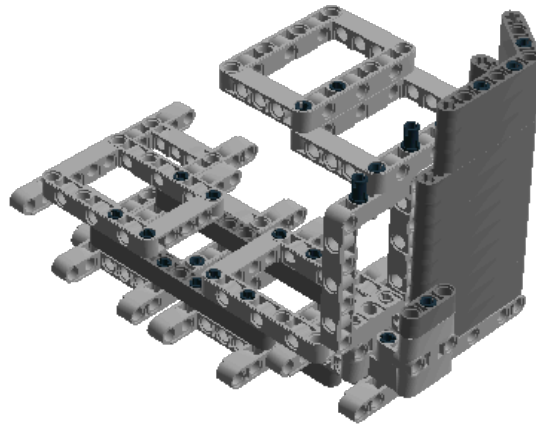
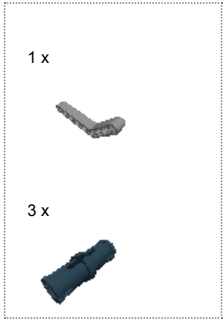
Step 208 of 225



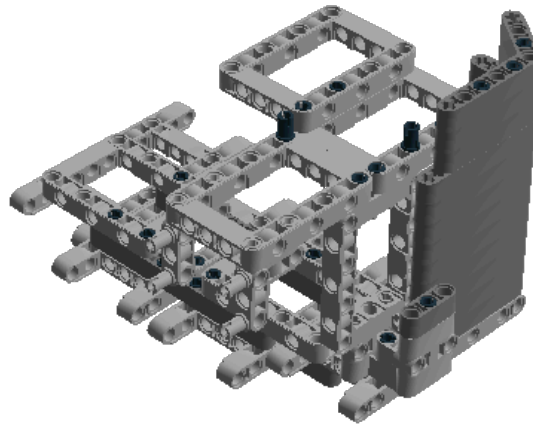
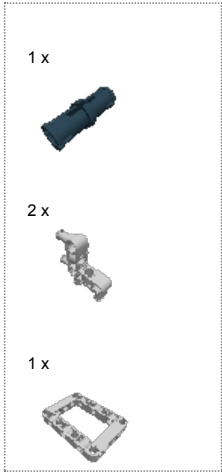
Step 209 of 225



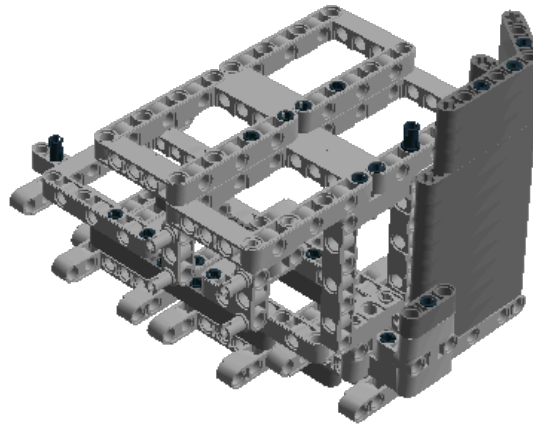
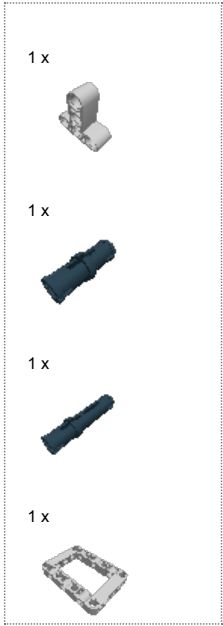
Step 210 of 225



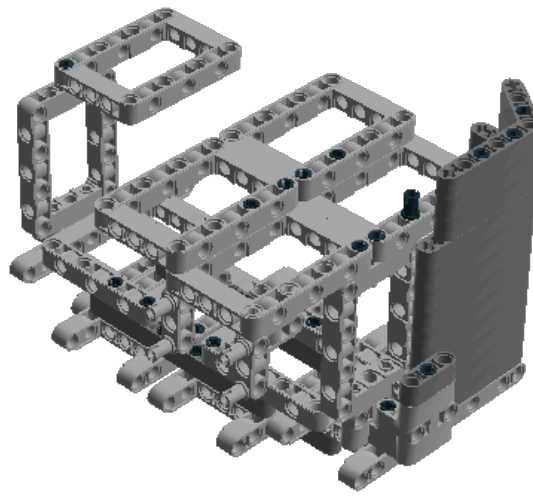
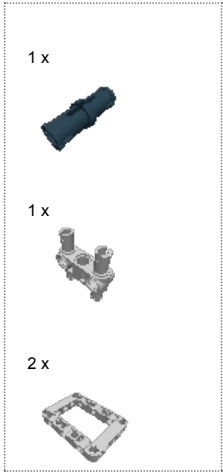
Step 211 of 225



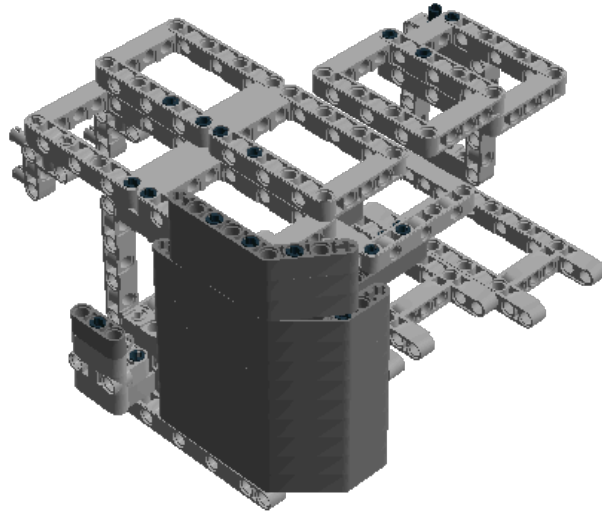
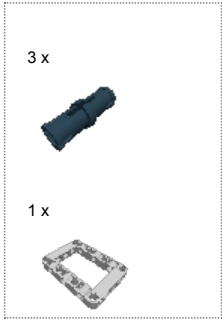
Step 212 of 225



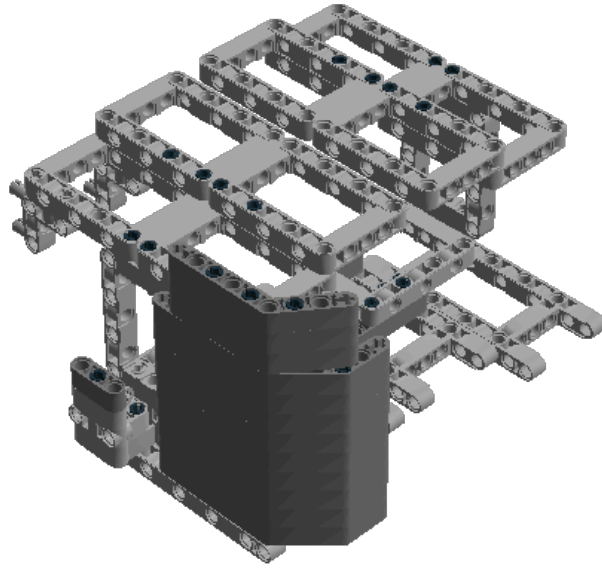
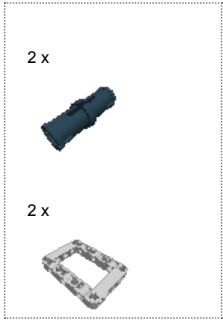
Step 213 of 225



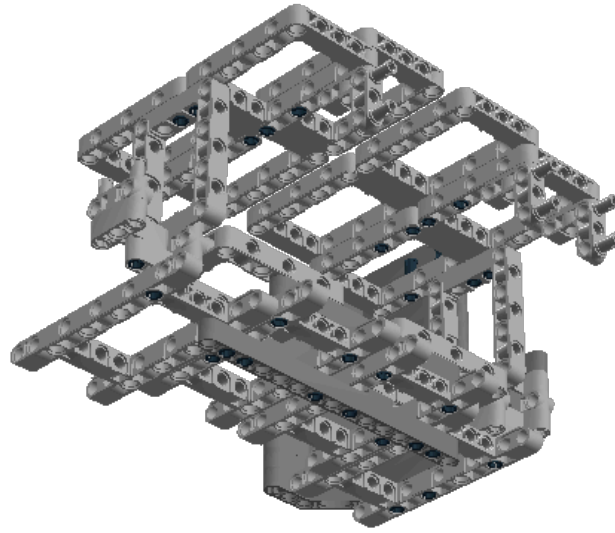
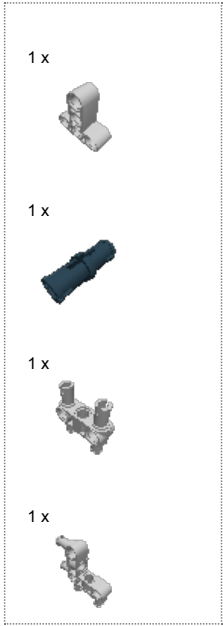
Step 214 of 225



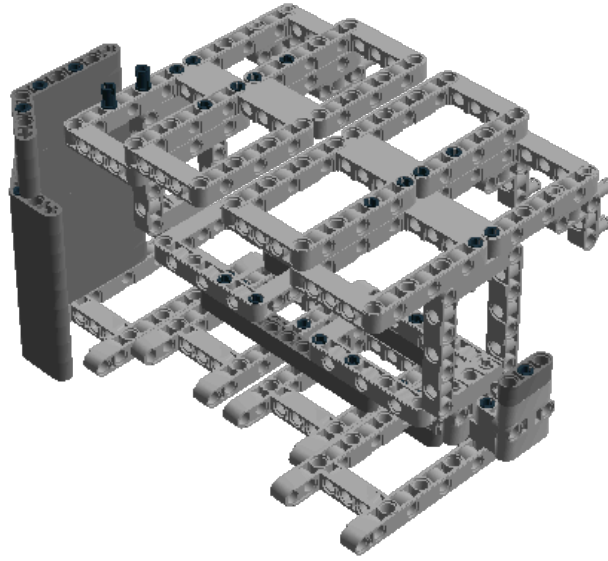
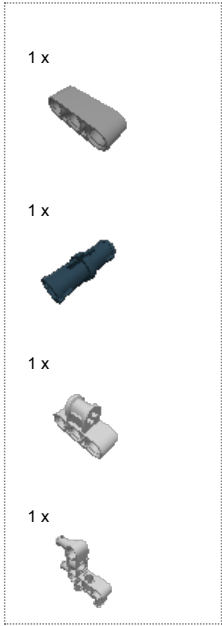
Step 215 of 225



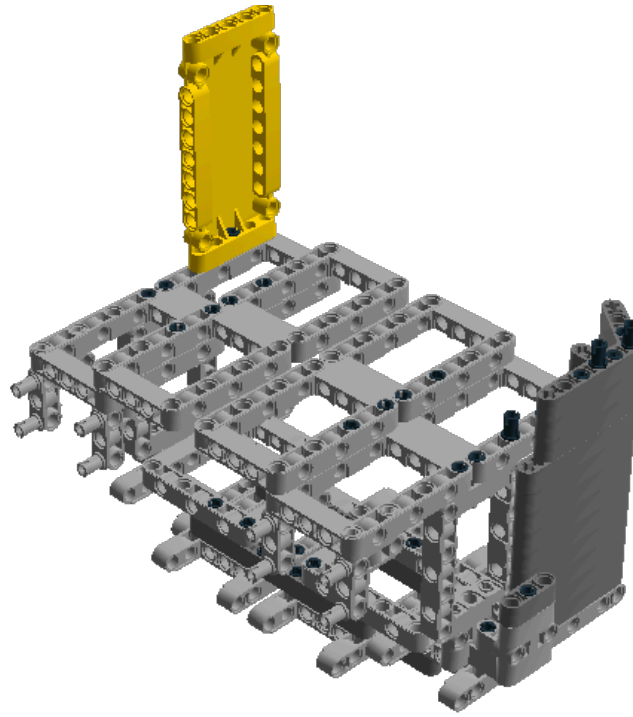
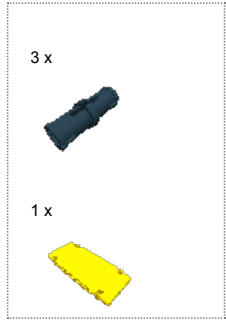
Step 216 of 225



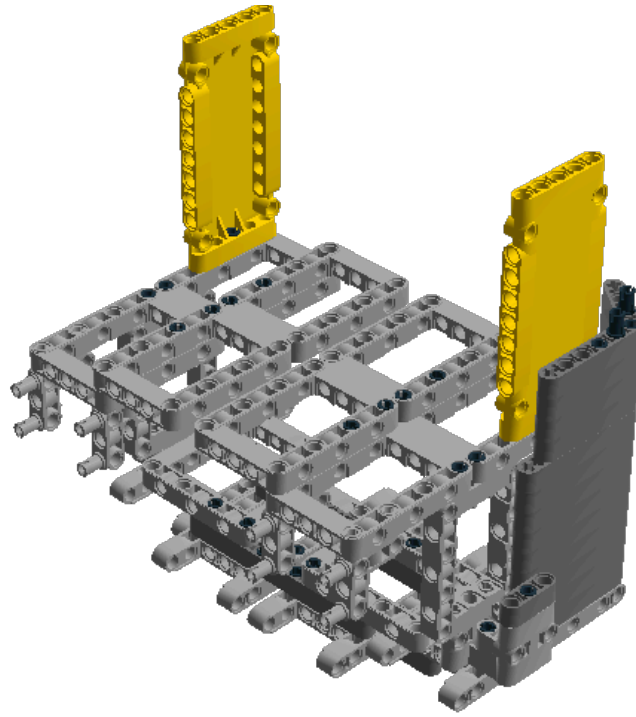
Step 217 of 225



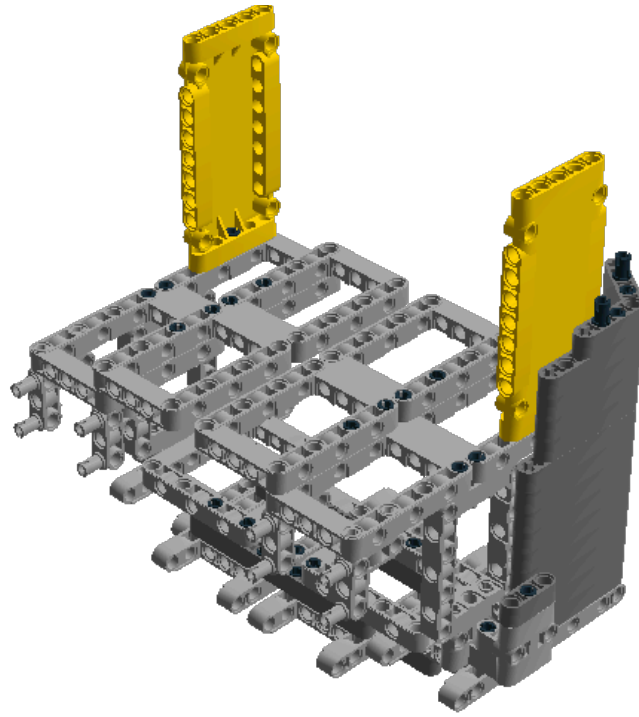
Step 218 of 225



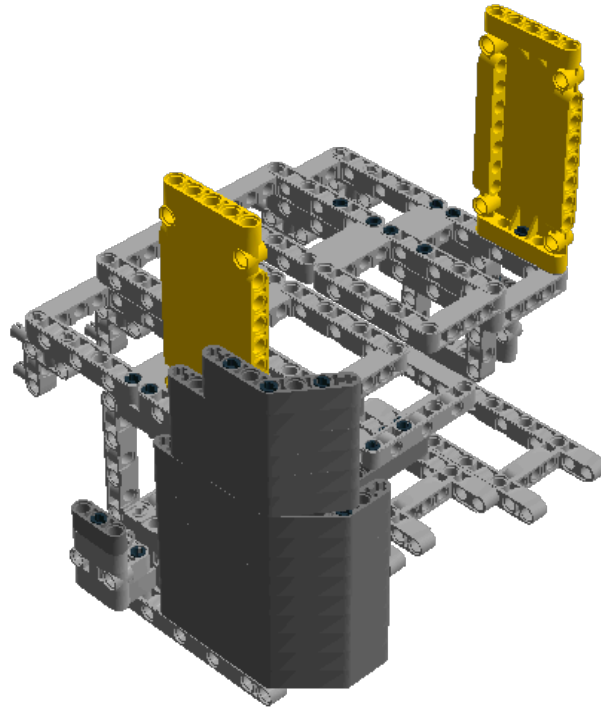
Step 219 of 225



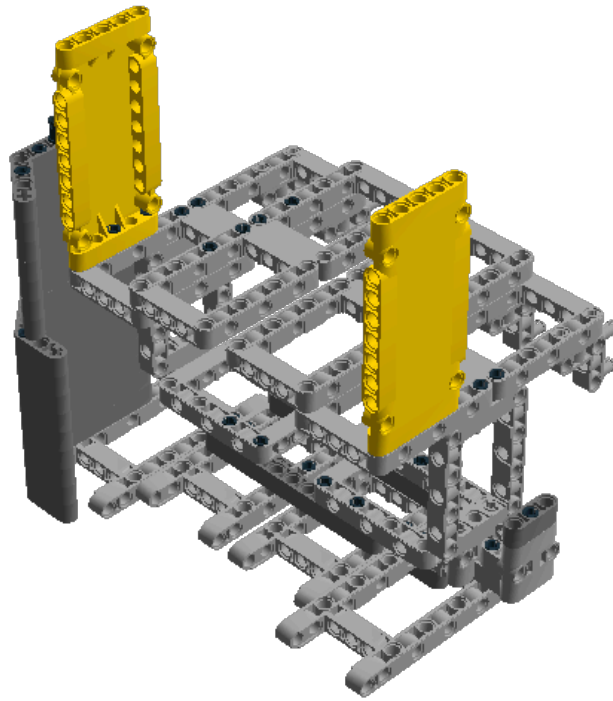
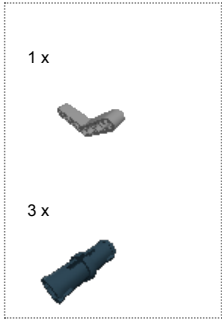
Step 220 of 225



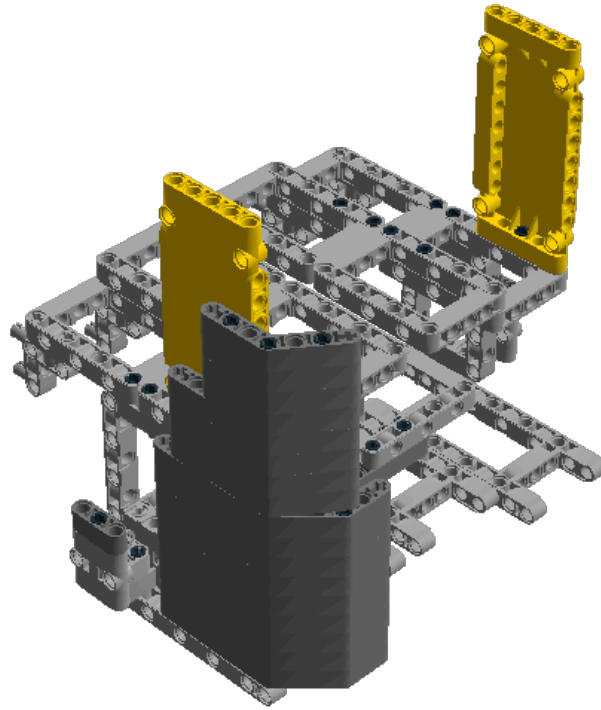
Step 221 of 225



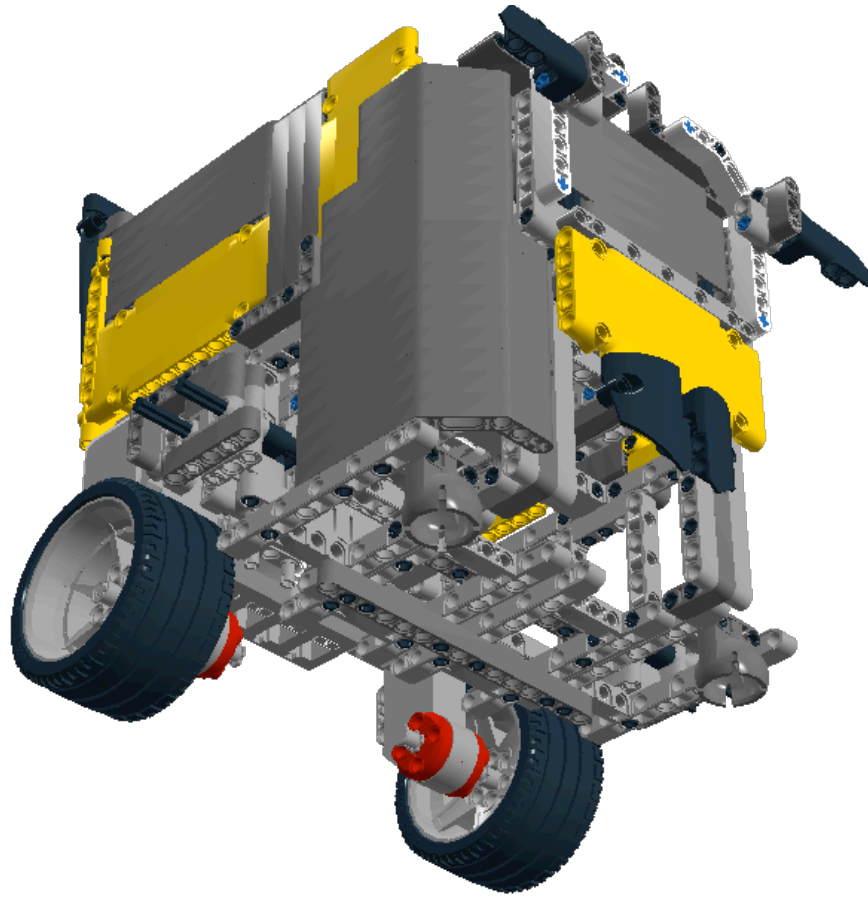
Step 222 of 225



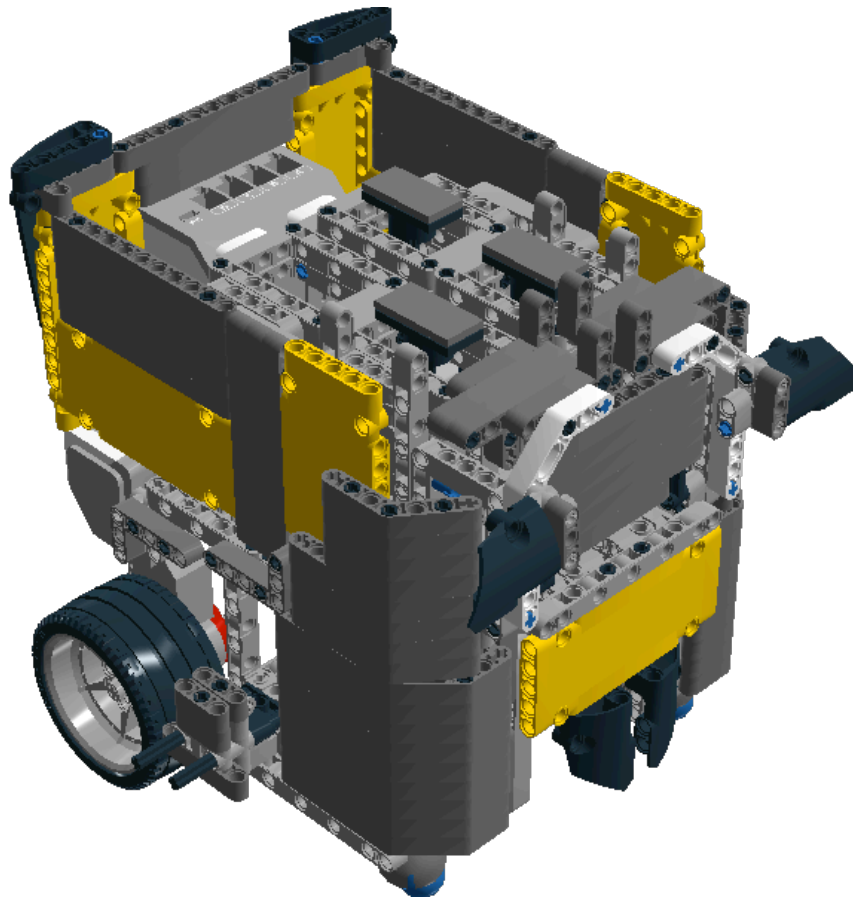
Step 223 of 225




Step 224 of 225




Step 225 of 225




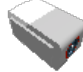
3 x  614326 BRICK Ø16 W. CROSS - Black

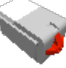
12 x  4211052 FLAT TILE 1X2 - Dark Stone Grey


3 x  302026 PLATE 2X4 - Black

2 x  6045310 RIM Ø 56 X 34 - Medium Stone Grey

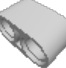
2 x  6062225 TYRE LOW WIDE Ø68,8 X 36 - Black

1 x  6008919 MS, EV3, SENSOR, COLOUR - White, Bright Red, Black, Medium Blue, Medium Stone Grey

3 x  6008472 MS, EV3, TOUCH SENSOR - White, Bright Red, Medium Stone Grey, Silver Metallic

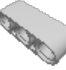
2 x  6057952 MS 2013 ENGINE - White, Bright Red, Medium Stone Grey

1 x  6009996 MS-EV3, P-BRICK - White, Transparent, Medium Stone Grey, Dark Stone Grey, Silver Metallic

4 x  4211862 TECHNICH 2M BEAM - Medium Stone Grey

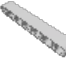
2 x  4142822 TECHNICH 3M BEAM - Black

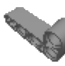
8 x  4210751 TECHNICH 3M BEAM - Dark Stone Grey

3 x  4211655 TECHNICH 3M BEAM - Medium Stone Grey

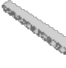
2 x  4210686 TECHNICH 5M BEAM - Dark Stone Grey

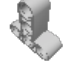
5 x  4495931 TECHNICH 7M BEAM - Dark Stone Grey


6 x  4495930 TECHNICH 7M BEAM - Medium Stone Grey


4 x  4210667 TECHNICH ANG. BEAM 4X2 90 DEG - Dark Stone Grey


3 x  4210757 TECHNICH 9M BEAM - Dark Stone Grey

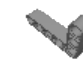
5 x  4211866 TECHNICH 9M BEAM - Medium Stone Grey


4 x  4535772 T-BEAM 3X3 W/HOLE Ø4.8 - Medium Stone Grey


23 x  4210755 TECHNICH 11M BEAM - Dark Stone Grey


2 x  4522937 TECHNICH 13M BEAM - Dark Stone Grey


3 x  4542576 TECHNICH 15M BEAM - Dark Stone Grey


12 x  4210753 TECHNICH ANG. BEAM 3X5 90 DEG. - Dark Stone Grey


8 x  4210656 TECHNICH ANGULAR BEAM 4X4 - Dark Stone Grey


8 x  4210638 TECHNICH ANGULAR BEAM 4X6 - Dark Stone Grey


18 x  4210668 DOUBLE ANGULAR BEAM 3X7 45° - Dark Stone Grey


2 x  4495412 DOUBLE ANGULAR BEAM 3X7 45° - White

292 x  4121715 CONNECTOR PEG W. FRICTION - Black


4 x  4211622 BUSH FOR CROSS AXLE - Medium Stone Grey


8 x  4206482 CONN. BUSH W. FRIC./CROSSALE - Bright Blue


3 x  370526 CROSS AXLE 4M - Black


10 x  655826 CONNECTOR PEG W. FRICTION 3M - Black


24 x  4514553 CONNECTOR PEG W. FRICTION 3M - Bright Blue


2 x  4107085 ANGLE ELEMENT, 0 DEGREES [1] - Black


4 x  370626 CROSS AXLE 6M - Black


2 x  4211805 CROSS AXLE 7M - Medium Stone Grey


2 x  4121667 DOUBLE CROSS BLOCK - Black


2 x  4538007 CROSS BLOCK 3X2 - Medium Stone Grey


2 x  4570137 BALL Ø16,5 - Bright Blue

19 x  4225033 BEAM 3 M. W/4 SNAPS - Medium Stone Grey


12 x  4296059 Angular beam 90degr. w.4 snaps - Medium Stone Grey


2 x  4610380 POWER JOINT - Dark Stone Grey


27 x  4539880 BEAM FRAME 5X7 Ø 4.85 - Medium Stone Grey


7 x  4540797 BEAM H. FRAME 5X11 Ø4.85 - Medium Stone Grey

7 x  4539112 FLAT PANEL - Bright Yellow

2 x  4566251 LEFT PANEL 3X5 - Black

2 x  4566249 RIGHT PANEL 3X5 - Black

1 x  4541326 LEFT PANEL 5X11 - Black

1 x  4543490 RIGHT PANEL 5X11 - Black

© 2012 The LEGO Group. All rights reserved.
Use of the LEGO Digital Designer html print tool, signifies your agreement to the terms of use.